



W100 Bright Light

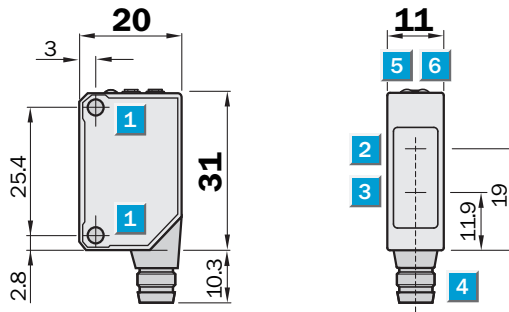
Miniature photoelectric sensor series
with large sensing ranges

Sensing distance
0 ... 1 m

Photoelectric proximity sensor

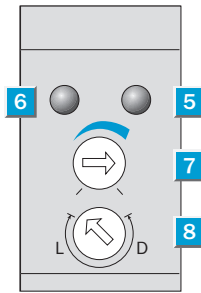
- 645 nm red light sender LED
- Extra bright, homogeneous and well-shaped light spot
- Extra long sensing distance

Dimensional drawing



Adjustments

All types

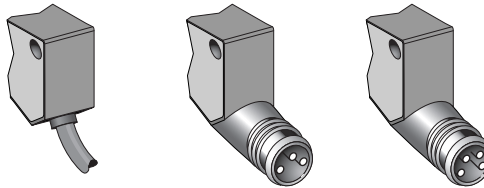


- 1 Mounting hole M3
- 2 Center of optical axis, receiver
- 3 Center of optical axis, sender
- 4 Connector
- 5 LED display orange: switching output active
- 6 LED display green: stable indicator
- 7 Scanning distance adjuster (270°)
- 8 Light/dark rotary switch:
L = light-switching,
D = dark-switching



Connection types

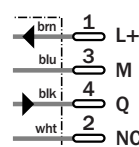
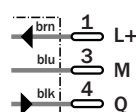
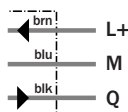
WT100-N1402	WT100-N3400	WT100-N4400
WT100-P1402	WT100-P3400	WT100-P4400



3 x 0.18 mm²

M8, 3-pin

M8, 4-pin



Accessories

Mounting systems

Plug, M8, 3-pin

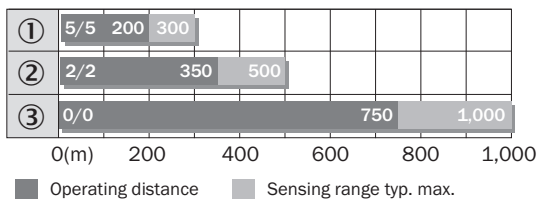
Plug, M8, 4-pin



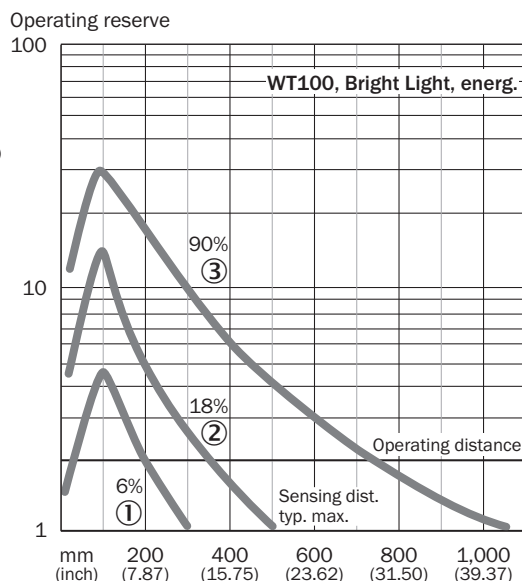
Technical data		WT100-	N1402	N3400	N4400	P1402	P3400	P4400				
Sensing distance, typ. max	0 ... 1,000 mm											
Operating distance	0 ... 700 mm ¹⁾											
Sensing distance setting	Potentiometer											
Light source, type of light	LED, red light, 645 nm ²⁾											
Light spot diameter	Approx. 50 mm at 750 mm distance											
Angle of dispersion	Approx. 4°											
Supply voltage V_S	10 ... 30 V DC ³⁾											
Ripple	± 10 % ⁴⁾											
Current consumption	≤ 30 mA ⁵⁾											
Switching output	NPN: open collector: Q											
	PNP: open collector: Q											
Signal voltage PNP HIGH/LOW	V _S - 1.8 V / approx. 0 V											
Signal voltage NPN HIGH/LOW	Approx. V _S / < 1.8 V											
Switching mode	Light-/dark-switching via rotary switch											
Output current I _A max.	100 mA											
Response time	≤ 0.5 ms ⁶⁾											
Switching frequency	1,000 Hz ⁷⁾											
Connection type	Cable, PVC, 2 m ⁸⁾											
	Plug, M8, 3-pin											
	Plug, M8, 4-pin											
Protection class	⚡											
Circuit protection	A, B, D ⁹⁾											
Enclosure rating	IP 67											
Ambient temperature	Operation -25 °C ... +55 °C											
	Storage -40 °C ... +70 °C											
Housing material	ABS, POM, PMMA											

- 1) Object to be detected with 90% remission (referred to standard white DIN 5033)
 2) Average service life 100,000 h when T_A = +25 °C
 3) Limit values, reverse polarity protected, operation in short-circuit protected network max. 8 A
 4) May not exceed or fall short of V_S tolerances
 5) Without load
 6) Signal transit time with resistive load
 7) With light/dark ratio 1 : 1
 8) Do not bend below 0 °C
 9) A = V_S connections reverse polarity protected
 B = In-/outputs short-circuit protected
 D = Outputs overcurrent and short-circuit protected

Sensing distance and operating reserve



- ① Sensing distance on black, 6% remission
- ② Sensing distance on grey, 18% remission
- ③ Sensing distance on white, 90% remission



Ordering information

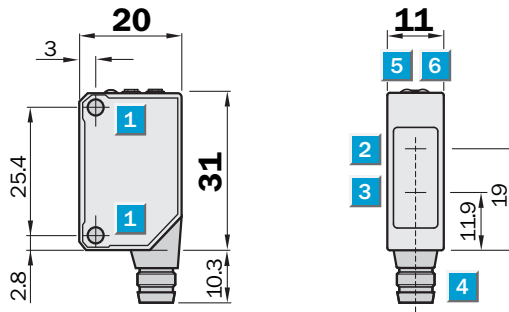
Model name	Part No.
WT100-N1402	6037850
WT100-N3400	6037851
WT100-N4400	6037852
WT100-P1402	6037853
WT100-P3400	6037854
WT100-P4400	6037855

Sensing distance
0 ... 1 m

Photoelectric proximity sensor

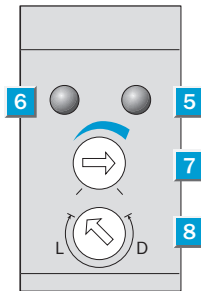
- 645 nm red light sender LED
- Extra bright, homogeneous and well-shaped light spot
- Extra long sensing distance
- Inclusive mounting bracket

Dimensional drawing



Adjustments

All types

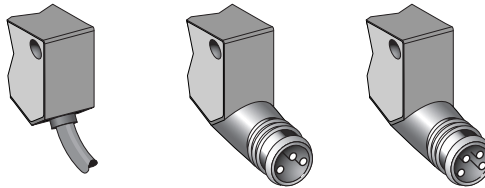


- 1 Mounting hole M3
- 2 Center of optical axis, receiver
- 3 Center of optical axis, sender
- 4 Connector
- 5 LED display orange: switching output active
- 6 LED display green: stable indicator
- 7 Scanning distance adjuster (270°)
- 8 Light/dark rotary switch:
L = light-switching,
D = dark-switching



Connection types

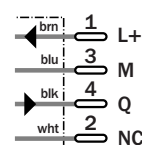
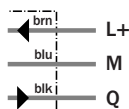
WT100-N1409	WT100-N3409	WT100-N4409
WT100-P1409	WT100-P3409	WT100-P4409



3 x 0.18 mm²

M8, 3-pin

M8, 4-pin



Accessories

Mounting systems

Plug, M8, 3-pin

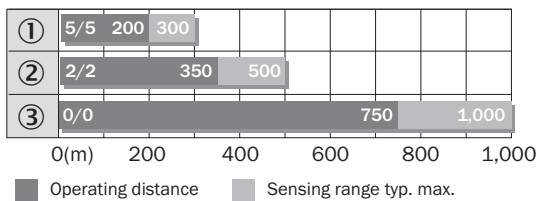
Plug, M8, 4-pin



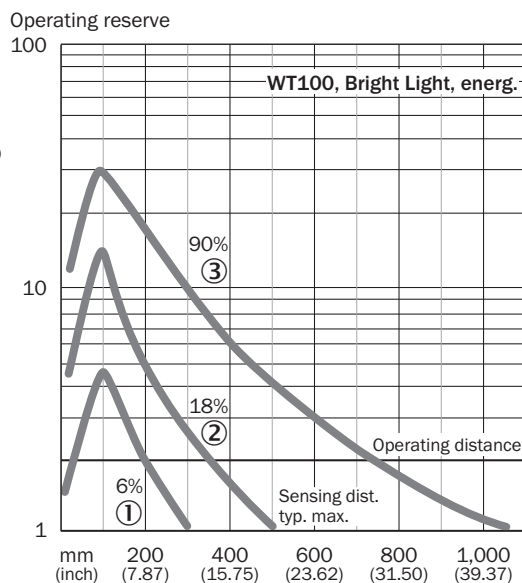
Technical data		WT100-	N1409	N3409	N4409	P1409	P3409	P4409				
Sensing distance, typ. max	0 ... 1,000 mm											
Operating distance	0 ... 700 mm ¹⁾											
Sensing distance setting	Potentiometer											
Light source, type of light	LED, red light, 645 nm ²⁾											
Light spot diameter	Approx. 50 mm at 750 mm distance											
Angle of dispersion	Approx. 4°											
Supply voltage V_S	10 ... 30 V DC ³⁾											
Ripple	± 10 % ⁴⁾											
Current consumption	≤ 30 mA ⁵⁾											
Switching output	NPN: open collector: Q											
	PNP: open collector: Q											
Signal voltage PNP HIGH/LOW	V _S - 1.8 V/approx. 0 V											
Signal voltage NPN HIGH/LOW	Approx. V _S / < 1.8 V											
Switching mode	Light-/dark-switching via rotary switch											
Output current I _A max.	100 mA											
Response time	≤ 0.5 ms ⁶⁾											
Switching frequency	1,000 Hz ⁷⁾											
Connection type	Cable, PVC, 2 m ⁸⁾											
	Plug, M8, 3-pin											
	Plug, M8, 4-pin											
Protection class	ⓘ											
Circuit protection	A, B, D ⁹⁾											
Enclosure rating	IP 67											
Ambient temperature	Operation -25 °C ... +55 °C											
	Storage -40 °C ... +70 °C											
Housing material	ABS, POM, PMMA											
Included with delivery	Bracket BEF-W100-A											

- 1) Object to be detected with 90% remission (referred to standard white DIN 5033)
 2) Average service life 100,000 h when T_A = +25 °C
 3) Limit values, reverse polarity protected, operation in short-circuit protected network max. 8 A
 4) May not exceed or fall short of V_S tolerances
 5) Without load
 6) Signal transit time with resistive load
 7) With light/dark ratio 1 : 1
 8) Do not bend below 0 °C
 9) A = V_S connections reverse polarity protected
 B = In-/outputs short-circuit protected
 D = Outputs overcurrent and short-circuit protected

Sensing distance and operating reserve



- ① Sensing distance on black, 6% remission
- ② Sensing distance on grey, 18% remission
- ③ Sensing distance on white, 90% remission



Ordering information

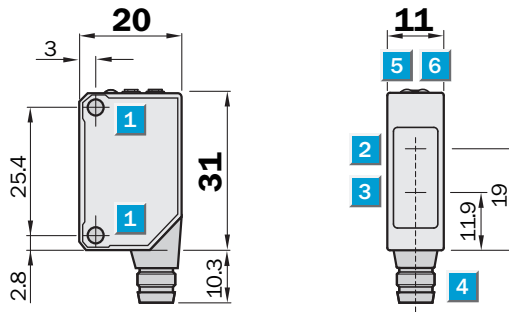
Model name	Part No.
WT100-N1409	6036501
WT100-N3409	6036502
WT100-N4409	6036503
WT100-P1409	6036504
WT100-P3409	6036505
WT100-P4409	6036506

Sensing range
0.1 ... 7.5 m

Photoelectric reflex sensor

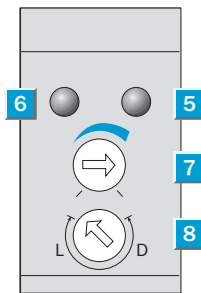
- 645 nm red light sender LED
- Extra bright, homogeneous and well-shaped light spot
- Extra long sensing range
- Extended blind zone for suppression of depolarized reflexes in close-up range

Dimensional drawing



Adjustments

All types

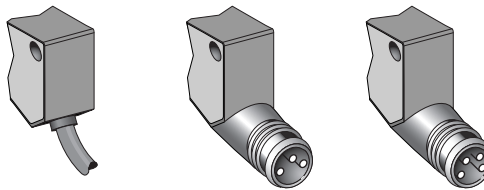


- 1 Mounting hole M3
- 2 Center of optical axis, receiver
- 3 Center of optical axis, sender
- 4 Connector
- 5 LED display orange: switching output active
- 6 LED display green: stable indicator
- 7 Sensitivity adjustment (270°)
- 8 Light/dark rotary switch:
L = light-switching,
D = dark-switching



Connection types

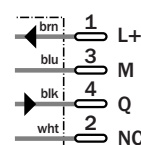
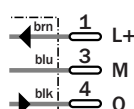
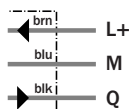
WL100-N1402	WL100-N3400	WL100-N4400
WL100-P1402	WL100-P3400	WL100-P4400



3 x 0.18 mm²

M8, 3-pin

M8, 4-pin



Accessories

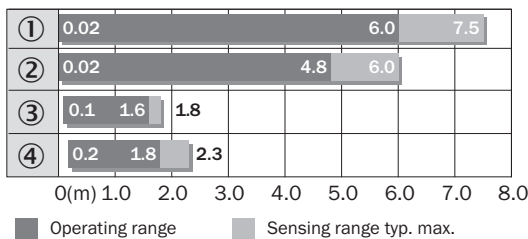
- Mounting systems
- Reflectors
- Plug, M8, 3-pin
- Plug, M8, 4-pin



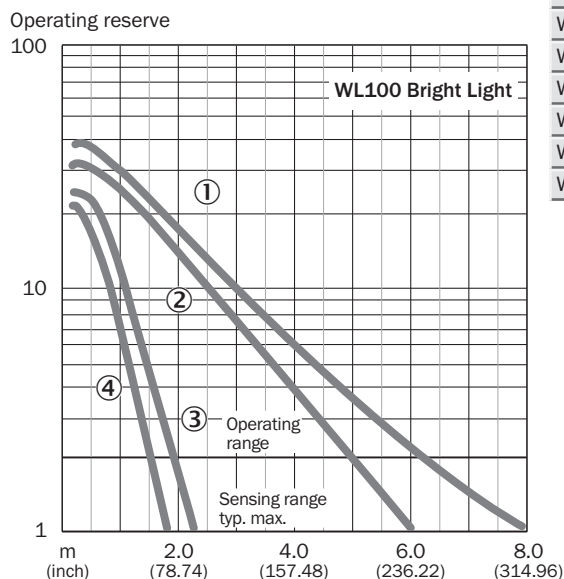
Technical data		WL100-	N1402	N3400	N4400	P1402	P3400	P4400				
Sensing range, typ. max.	0.1 ... 7.5 m											
Operating range, recommended	0.1 ... 6 m											
Relating to	Reflector PL80A											
Sensitivity adjustment	Potentiometer											
Light source, type of light	LED, red light, 645 nm ¹⁾											
Light spot diameter	Approx. 150 mm at 4 m distance											
Angle of dispersion	Approx. 2°											
Polarization filter	✓											
Supply voltage V_S	10 ... 30 V DC ²⁾											
Ripple	± 10 % ³⁾											
Current consumption	≤ 30 mA ⁴⁾											
Switching output	NPN: open collector: Q											
	PNP: open collector: Q											
Signal voltage PNP HIGH/LOW	V _S - 1.8 V / approx. 0 V											
Signal voltage NPN HIGH/LOW	Approx. V _S / < 1.8 V											
Switching mode	Light-/dark-switching via rotary switch											
Output current I _A max.	100 mA											
Response time	≤ 0.5 ms ⁵⁾											
Switching frequency	1,000 Hz ⁶⁾											
Connection type	Cable, PVC, 2 m ⁷⁾											
	Plug, M8, 3-pin											
	Plug, M8, 4-pin											
Protection class	ⓘ											
Circuit protection	A, B, D ⁸⁾											
Enclosure rating	IP 67											
Ambient temperature	Operation -25 °C ... +55 °C											
	Storage -40 °C ... +70 °C											
Housing material	ABS, POM, PMMA											

- 1) Average service life 100,000 h when T_A = +25 °C
 2) Limit values, reverse polarity protected, operation in short-circuit protected network max. 8 A
 3) May not exceed or fall short of V_S tolerances
 4) Without load
 5) Signal transit time with resistive load
 6) With light/dark ratio 1 : 1
 7) Do not bend below 0 °C
 8) A = V_S connections reverse polarity protected
 B = In-/outputs short-circuit protected
 D = Outputs overcurrent and short-circuit protected

Sensing range and operating reserve



Reflector type	Operating range
① PL80A	0.02 ... 6.0 m
② P250	0.02 ... 4.8 m
③ P45	0.2 ... 1.8 m
④ Reflective tape Diamond Grade	0.1 ... 1.6 m (100 x 100 mm ²)



Ordering information

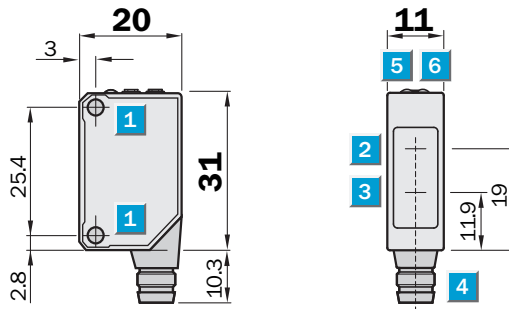
Model name	Part No.
WL100-N1402	6037856
WL100-N3400	6037857
WL100-N4400	6037858
WL100-P1402	6037859
WL100-P3400	6037860
WL100-P4400	6037861

Sensing range
0.1 ... 7.5 m

Photoelectric reflex sensor

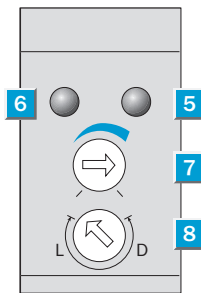
- 645 nm red light sender LED
- Extra bright, homogeneous and well-shaped light spot
- Extra long sensing range
- Extended blind zone for suppression of depolarized reflexes in close-up range
- Inclusive reflector and mounting bracket

Dimensional drawing



Adjustments

All types

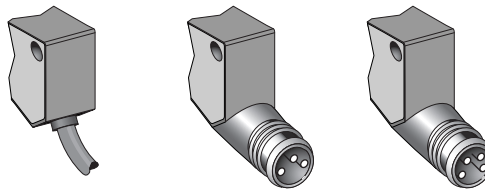


- 1 Mounting hole M3
- 2 Center of optical axis, receiver
- 3 Center of optical axis, sender
- 4 Connector
- 5 LED display orange: switching output active
- 6 LED display green: stable indicator
- 7 Sensitivity adjustment (270°)
- 8 Light/dark rotary switch:
L = light-switching,
D = dark-switching



Connection types

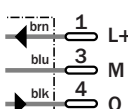
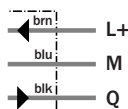
WL100-N1409	WL100-N3409	WL100-N4409
WL100-P1409	WL100-P3409	WL100-P4409



3 x 0.18 mm²

M8, 3-pin

M8, 4-pin



Accessories

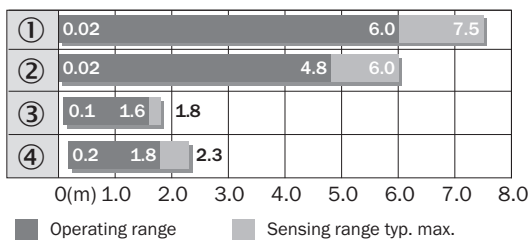
Mounting systems
Reflectors
Plug, M8, 3-pin
Plug, M8, 4-pin



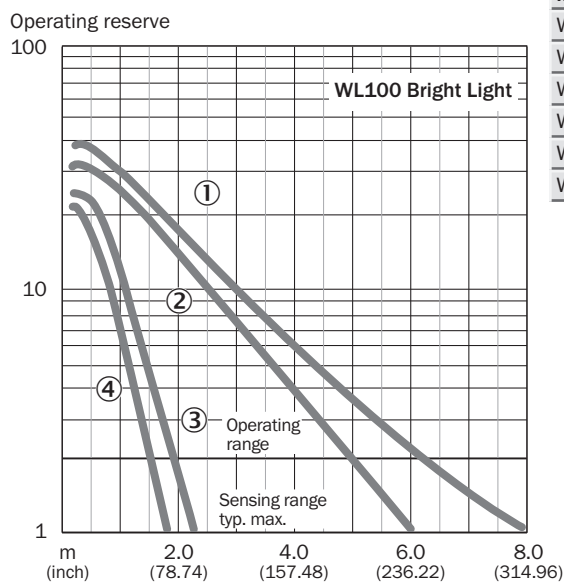
Technical data		WL100-	N1409	N3409	N4409	P1409	P3409	P4409				
Sensing range, typ. max.	0.1 ... 7.5 m											
Operating range, recommended	0.1 ... 6 m											
Relating to	Reflector PL80A											
Sensitivity adjustment	Potentiometer											
Light source, type of light	LED, red light, 645 nm ¹⁾											
Light spot diameter	Approx. 150 mm at 4 m distance											
Angle of dispersion	Approx. 2°											
Polarization filter	✓											
Supply voltage V_S	10 ... 30 V DC ²⁾											
Ripple	± 10 % ³⁾											
Current consumption	≤ 30 mA ⁴⁾											
Switching output	NPN: open collector: Q											
	PNP: open collector: Q											
Signal voltage PNP HIGH/LOW	V _S - 1.8 V/ approx. 0 V											
Signal voltage NPN HIGH/LOW	Approx. V _S / < 1.8 V											
Switching mode	Light-/dark-switching via rotary switch											
Output current I _A max.	100 mA											
Response time	≤ 0.5 ms ⁵⁾											
Switching frequency	1,000 Hz ⁶⁾											
Connection type	Cable, PVC, 2 m ⁷⁾											
	Plug, M8, 3-pin											
	Plug, M8, 4-pin											
Protection class	⚡											
Circuit protection	A, B, D ⁸⁾											
Enclosure rating	IP 67											
Ambient temperature	Operation -25 °C ... +55 °C											
	Storage -40 °C ... +70 °C											
Housing material	ABS, POM, PMMA											
Included with delivery	Reflector P250											
	Bracket BEF-W100-A											

- 1) Average service life 100,000 h when T_A = +25 °C
- 2) Limit values, reverse polarity protected, operation in short-circuit protected network max. 8 A
- 3) May not exceed or fall short of V_S tolerances
- 4) Without load
- 5) Signal transit time with resistive load
- 6) With light/dark ratio 1 : 1
- 7) Do not bend below 0 °C
- 8) A = V_S connections reverse polarity protected
 B = In-/outputs short-circuit protected
 D = Outputs overcurrent and short-circuit protected

Sensing range and operating reserve



Reflector type	Operating range
① PL80A	0.02 ... 6.0 m
② P250	0.02 ... 4.8 m
③ P45	0.2 ... 1.8 m
④ Reflective tape Diamond Grade	0.1 ... 1.6 m (100 x 100 mm ²)



Ordering information

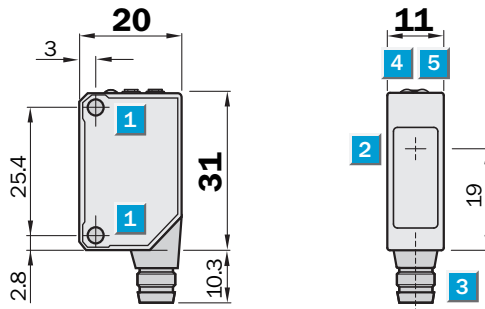
Model name	Part No.
WL100-N1409	6036507
WL100-N3409	6036508
WL100-N4409	6036509
WL100-P1409	6036510
WL100-P3409	6036511
WL100-P4409	6036512

Sensing range
0 ... 30 m

Through-beam photoelectric sensor

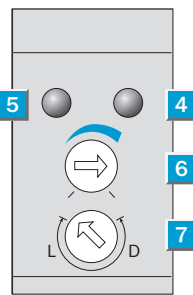
- 645 nm red light sender LED
- Extra bright, homogeneous and well-shaped light spot
- Extra long sensing range

Dimensional drawing



Adjustments

All types

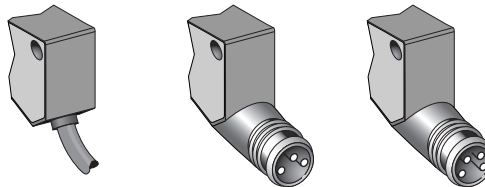


- 1** Mounting hole M3
- 2** Center of optical axis, sender WS100 Bright Light
Center of optical axis, receiver WE100 Bright Light
- 3** Connector
- 4** LED display orange: switching output active
- 5** LED display green: stable indicator
- 6** Sensitivity adjustment (270°, WE100 Bright Light)
- 7** Light/dark rotary switch:
L = light-switching,
D = dark-switching (WE100 Bright Light)

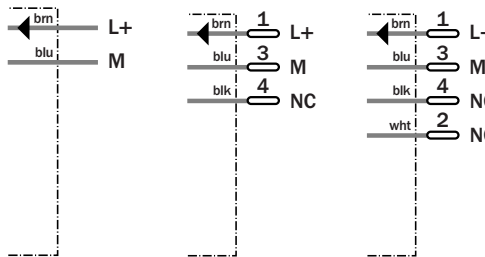


Connection types

WS/WE100-N1402	WS/WE100-N3400	WS/WE100-N4400
WS/WE100-P1402	WS/WE100-P3400	WS/WE100-P4400



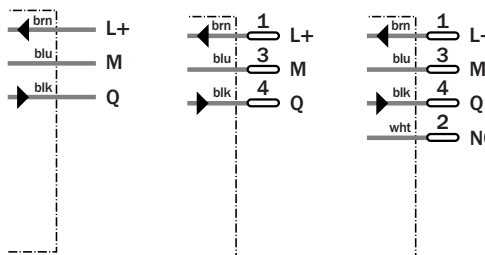
Sender	2 x 0.18 mm ²	M8, 3-pin	M8, 4-pin
--------	--------------------------	-----------	-----------



Accessories

Mounting systems
Masks
Polarization filters
Plug, M8, 3-pin
Plug, M8, 4-pin

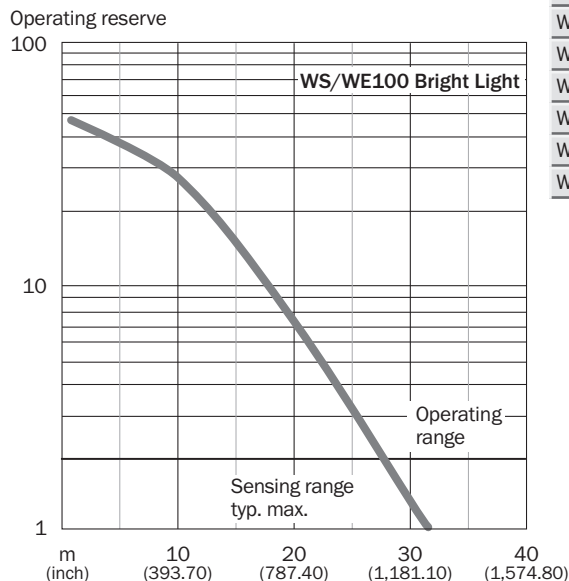
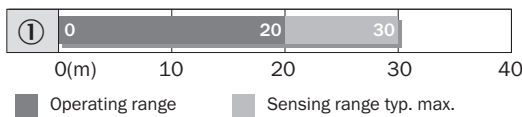
Receiver	3 x 0.18 mm ²	M8, 3-pin	M8, 4-pin
----------	--------------------------	-----------	-----------



Technical data		WS/WE100-	N1402	N3400	N4400	P1402	P3400	P4400				
Sensing range, typ. max.	0 ... 30 m											
Operating range, recommended	0 ... 20 m											
Sensitivity adjustment	Potentiometer											
Light source, type of light	LED, red light, 645 nm ¹⁾											
Light spot diameter	Approx. 800 mm at 20 m distance											
Angle of dispersion	Approx. 2°											
Angle of reception	Approx. 15°											
Supply voltage V_S	10 ... 30 V DC ²⁾											
Ripple	± 10 % ³⁾											
Current consumption	Sender: ≤ 15 mA ⁴⁾ Receiver: ≤ 20 mA ⁴⁾											
Switching output	NPN: open collector: Q PNP: open collector: Q											
Signal voltage PNP HIGH/LOW	V _S - 1.8 V/ approx. 0 V											
Signal voltage NPN HIGH/LOW	Approx. V _S / < 1.8 V											
Switching mode	Light-/dark-switching via rotary switch											
Output current I _A max.	100 mA											
Response time	≤ 0.5 ms ⁵⁾											
Switching frequency	1,000 Hz ⁶⁾											
Connection type	Cable, PVC, 2 m ⁷⁾ Plug, M8, 3-pin Plug, M8, 4-pin											
Protection class	ⓘ											
Circuit protection	A, B, D ⁸⁾											
Enclosure rating	IP 67											
Ambient temperature	Operation -25 °C ... +55 °C Storage -40 °C ... +70 °C											
Housing material	ABS, POM, PMMA											

- 1) Average service life 100,000 h when T_A = +25 °C
- 2) Limit values, reverse polarity protected, operation in short-circuit protected network max. 8 A
- 3) May not exceed or fall short of V_S tolerances
- 4) Without load
- 5) Signal transit time with resistive load
- 6) With light/dark ratio 1 : 1
- 7) Do not bend below 0 °C
- 8) A = V_S connections reverse polarity protected
B = In-/outputs short-circuit protected (receiver only)
D = Outputs overcurrent and short-circuit protected (receiver only)

Sensing range and operating reserve



Ordering information

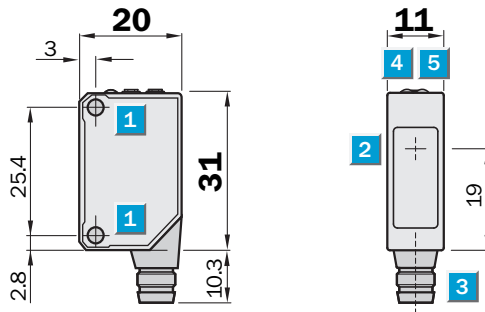
Model name	Part No.
WS/WE100-N1402	6037862
WS/WE100-N3400	6037863
WS/WE100-N4400	6037864
WS/WE100-P1402	6037865
WS/WE100-P3400	6037866
WS/WE100-P4400	6037867

Sensing range
0 ... 30 m

Through-beam photoelectric sensor

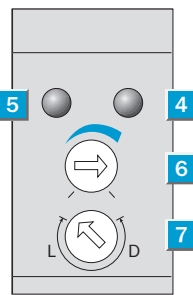
- 645 nm red light sender LED
- Extra bright, homogeneous and well-shaped light spot
- Extra long sensing range
- Inclusive mounting bracket

Dimensional drawing



Adjustments

All types

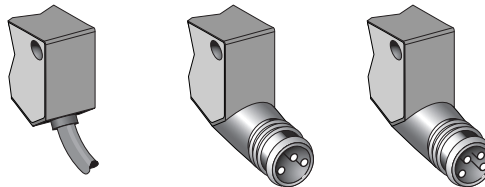


- 1** Mounting hole M3
- 2** Center of optical axis, sender WS100 Bright Light
Center of optical axis, receiver WE100 Bright Light
- 3** Connector
- 4** LED display orange: switching output active
- 5** LED display green: stable indicator
- 6** Sensitivity adjustment (270°, WE100 Bright Light)
- 7** Light/dark rotary switch:
L = light-switching,
D = dark-switching (WE100 Bright Light)

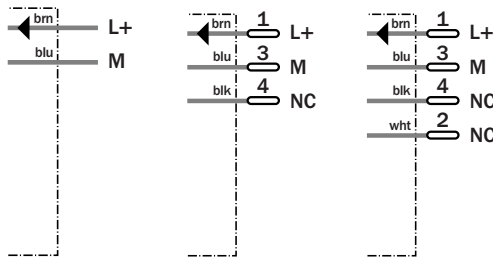


Connection types

WS/WE100-N1409	WS/WE100-N3409	WS/WE100-N4409
WS/WE100-P1409	WS/WE100-P3409	WS/WE100-P4409



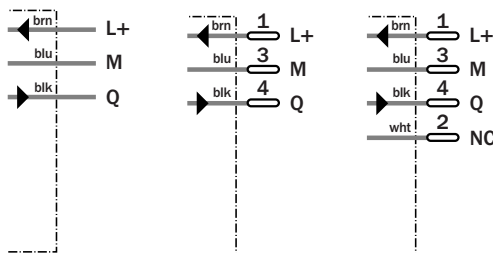
Sender	2 x 0.18 mm ²	M8, 3-pin	M8, 4-pin
--------	--------------------------	-----------	-----------



Accessories

- Mounting systems
- Masks
- Polarization filters
- Plug, M8, 3-pin
- Plug, M8, 4-pin

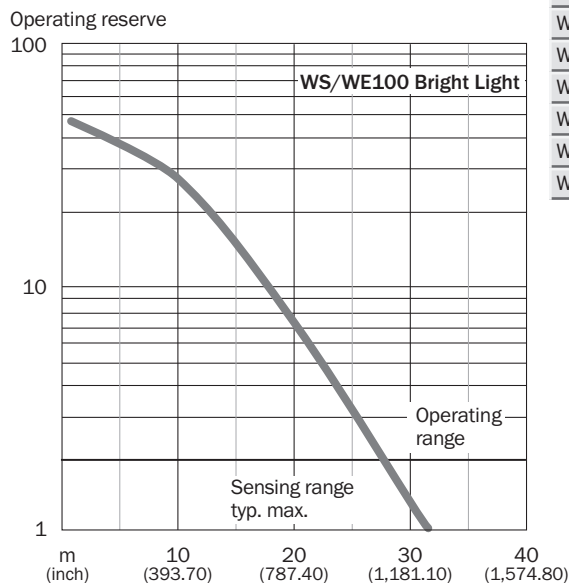
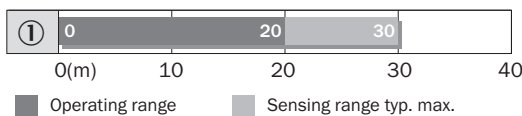
Receiver	3 x 0.18 mm ²	M8, 3-pin	M8, 4-pin
----------	--------------------------	-----------	-----------



Technical data		WS/WE100-	N1409	N3409	N4409	P1409	P3409	P4409				
Sensing range, typ. max.	0 ... 30 m											
Operating range, recommended	0 ... 20 m											
Sensitivity adjustment	Potentiometer											
Light source, type of light	LED, red light, 645 nm ¹⁾											
Light spot diameter	Approx. 800 mm at 20 m distance											
Angle of dispersion	Approx. 2°											
Angle of reception	Approx. 15°											
Supply voltage V_S	10 ... 30 V DC ²⁾											
Ripple	± 10 % ³⁾											
Current consumption	Sender: ≤ 15 mA ⁴⁾ Receiver: ≤ 20 mA ⁴⁾											
Switching output	NPN: open collector: Q PNP: open collector: Q											
Signal voltage PNP HIGH/LOW	V _S - 1.8 V/ approx. 0 V											
Signal voltage NPN HIGH/LOW	Approx. V _S / < 1.8 V											
Switching mode	Light-/dark-switching via rotary switch											
Output current I _A max.	100 mA											
Response time	≤ 0.5 ms ⁵⁾											
Switching frequency	1,000 Hz ⁶⁾											
Connection type	Cable, PVC, 2 m ⁷⁾ Plug, M8, 3-pin Plug, M8, 4-pin											
Protection class	ⓘ											
Circuit protection	A, B, D ⁸⁾											
Enclosure rating	IP 67											
Ambient temperature	Operation -25 °C ... +55 °C Storage -40 °C ... +70 °C											
Housing material	ABS, POM, PMMA											
Included with delivery	Bracket BEF-W100-A											

- 1) Average service life 100,000 h when T_A = +25 °C
- 2) Limit values, reverse polarity protected, operation in short-circuit protected network max. 8 A
- 3) May not exceed or fall short of V_S tolerances
- 4) Without load
- 5) Signal transit time with resistive load
- 6) With light/dark ratio 1 : 1
- 7) Do not bend below 0 °C
- 8) A = V_S connections reverse polarity protected
B = In-/outputs short-circuit protected (receiver only)
D = Outputs overcurrent and short-circuit protected (receiver only)

Sensing range and operating reserve



Ordering information

Model name	Part No.
WS/WE100-N1409	6036513
WS/WE100-N3409	6036514
WS/WE100-N4409	6036515
WS/WE100-P1409	6036516
WS/WE100-P3409	6036517
WS/WE100-P4409	6036518

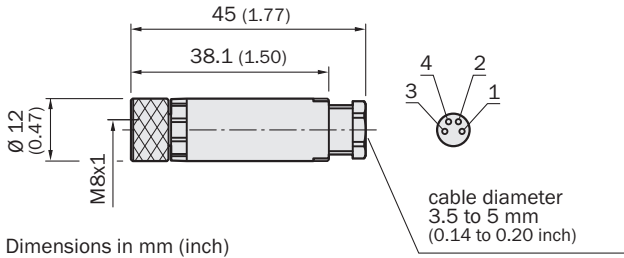
Dimensional drawings and ordering information

Connectors

SENSICK screw-in system M8, 3- or 4-pin, enclosure rating IP 67

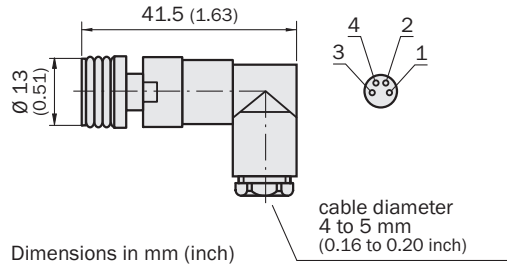
Female connector M8, 3- or 4-pin, straight

Model name	Part No.	Contacts
DOS-0803-G	7902077	3
DOS-0804-G	6009974	4



Female connector M8, 3- or 4-pin, right angles

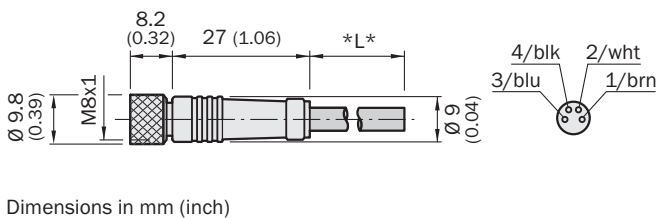
Model name	Part No.	Contacts
DOS-0803-W	7902078	3
DOS-0804-W	6009975	4



Female connector M8, 3- or 4-pin, straight

3 x 0.34 mm² or 4 x 0.25 mm², sheath PVC

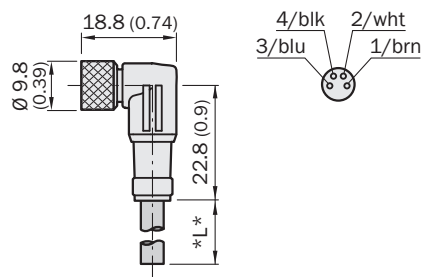
Model name	Part No.	Contacts	Cable length
DOL-0803-G02M	6010785	3	2 m
DOL-0803-G05M	6022009	3	5 m
DOL-0803-G10M	6022011	3	10 m
DOL-0804-G02M	6009870	4	2 m
DOL-0804-G05M	6009872	4	5 m
DOL-0804-G10M	6010754	4	10 m



Female connector M8, 3- or 4-pin, right angle

3 x 0.34 mm² or 4 x 0.25 mm², sheath PVC

Model name	Part No.	Contacts	Cable length
DOL-0803-W02M	6008489	3	2 m
DOL-0803-W05M	6022010	3	5 m
DOL-0803-W10M	6022012	3	10 m
DOL-0804-W02M	6009871	4	2 m
DOL-0804-W05M	6009873	4	5 m
DOL-0804-W10M	6010755	4	10 m



1) Minimum bend radius in dynamic use
 $R_{min} = 20 \times \text{cable diameter}$

Dimensional drawings and ordering information

Connectors

SENSICK screw-in system M8, 3- or 4-pin, enclosure rating IP 67

Female connector M8, 3- or 4-pin, straight

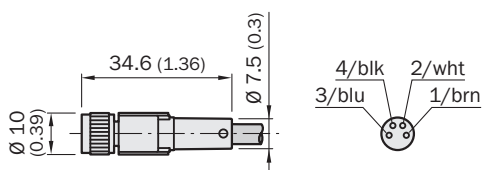
3/4 x 0.34 mm², sheath PUR halogen free

Model name	Part No.	Contacts	Cable length
DOL-0803-G02MC	6025888	3	2 m
DOL-0803-G05MC	6025889	3	5 m
DOL-0803-G10MC	6025890	3	10 m
DOL-0804-G02MC	6025894	4	2 m
DOL-0804-G05MC	6025895	4	5 m
DOL-0804-G10MC	6025896	4	10 m

Female connector M8, 3- or 4-pin, right angle

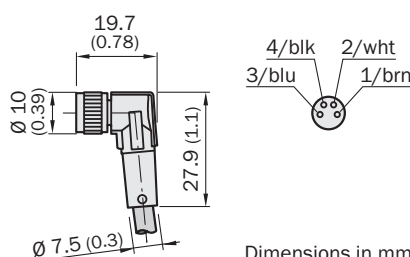
3/4 x 0.34 mm², sheath PUR halogen free

Model name	Part No.	Contacts	Cable length
DOL-0803-W02MC	6025891	3	2 m
DOL-0803-W05MC	6025892	3	5 m
DOL-0803-W10MC	6025893	3	10 m
DOL-0804-W02MC	6025897	4	2 m
DOL-0804-W05MC	6025898	4	5 m
DOL-0804-W10MC	6025899	4	10 m



Dimensions in mm (inch)

1) Minimum bend radius in dynamic use
 $R_{min} = 20 \times \text{cable diameter}$



Dimensions in mm (inch)

Masks/polarization filter

Slotted masks for WS/WE100*)

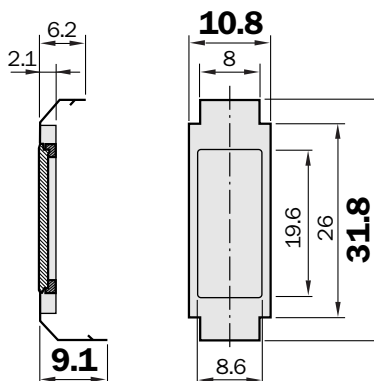
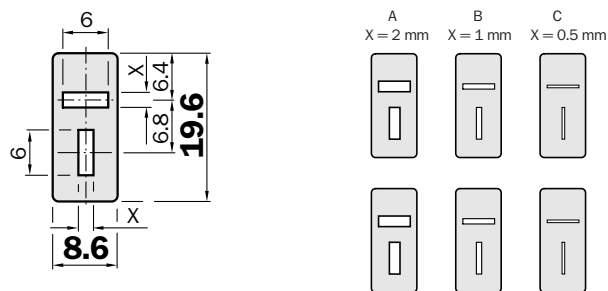
Slot width X: 0.5 mm/1.0 mm/2.0 mm

Model name	Part No.
BL-100-10	5314182

Polarization filter for WS/WE100

Model name	Part No.	Model
BL-100-POLF	5314702	4 pieces, each 2x for X and Y polarizing

*) Two pieces each



3 pairs with slot widths A, B and C are supplied with equipment.

Mounting by self-adhesive back.

Stick mask on red optics body of WS100 and WE100.

For detecting smaller objects or increasing the withcing accuracy.

Changed operating ranges:

- A) Slot width 2.0 mm: SR = 4.0 m
- B) Slot width 1.0 mm: SR = 2.0 m
- C) Slot width 0.5 mm: SR = 1.0 m

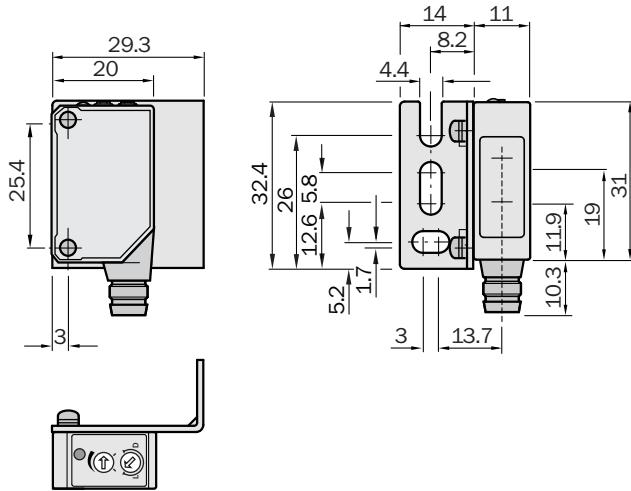
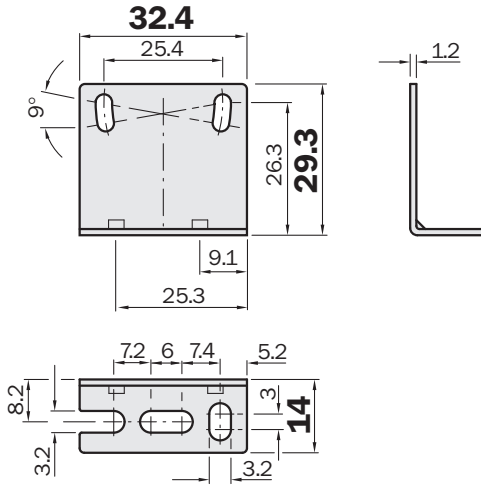
Dimensional drawings and ordering information

Mounting systems

Mounting bracket, horizontal for W100 *)

Model name	Part No.
BEF-W100-A	5311520

Mounting

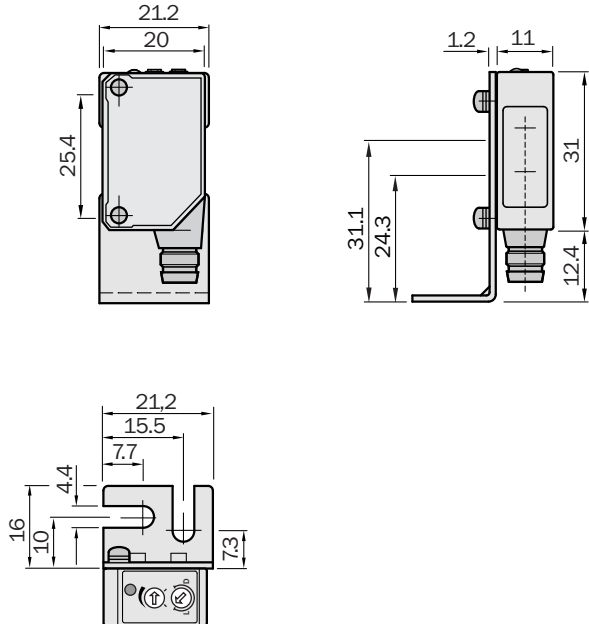
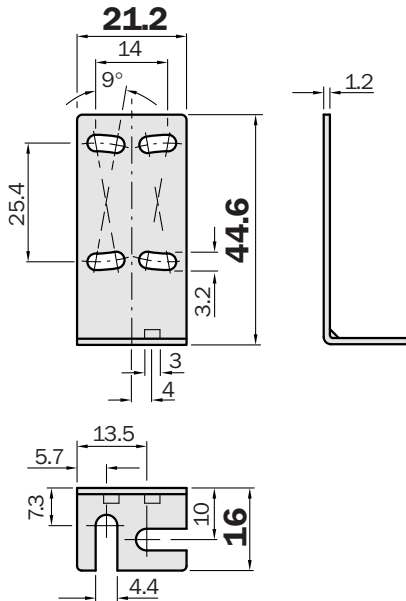


*) Included with delivery W100 standard types

Mounting bracket, vertical for W100

Model name	Part No.
BEF-W100-B	5311521

Mounting

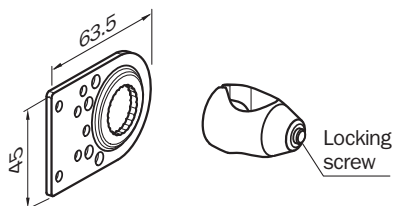


Dimensional drawings and ordering information

Mounting systems

Mounting plate for universal bar clamp

Model name	Part No.	Mounting plate
BEF-KHS-L01	2023057	L

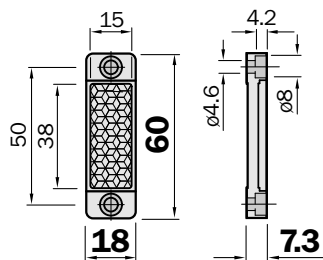


L

Reflectors, plastic design, for temperatures up to 65 °C

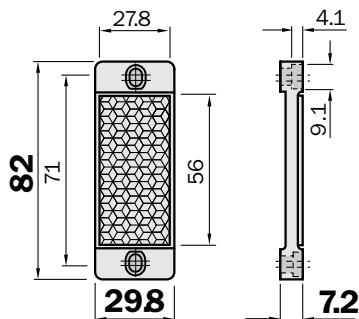
Reflector 20 x 40 mm

Model name	Part No.
PL20A	1012719



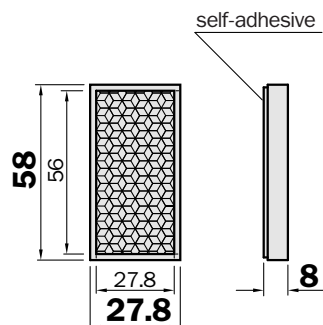
Reflector 30 x 50 mm

Model name	Part No.
PL30A	1002314



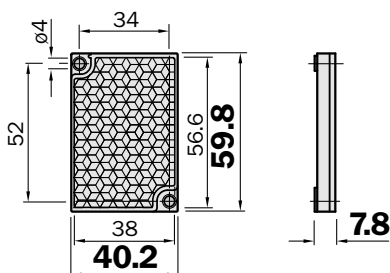
Reflector 30 x 50 mm

Model name	Part No.
PL31A	1002315



Reflector 40 x 60 mm

Model name	Part No.
PL40A	1012720

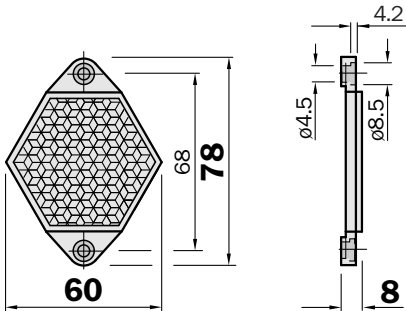


Dimensional drawings and ordering information

Reflectors, plastic design, for temperatures up to 65 °C

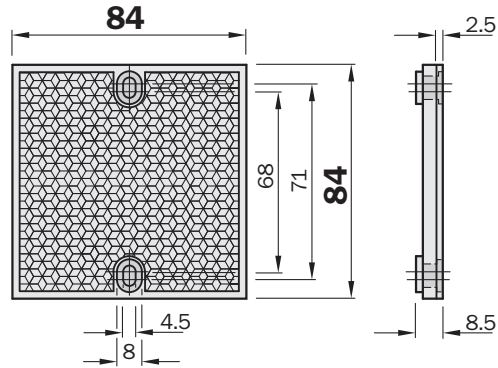
Reflector 6-sided, width across flats 52 mm, screwable

Model name	Part No.
PL50A	1000132



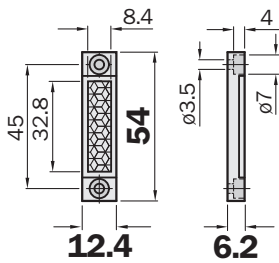
Reflector 80 x 80 mm

Model name	Part No.
PL80A	1003865



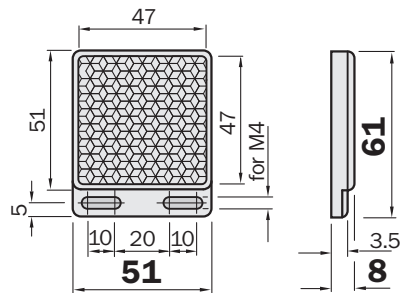
Reflector 32.8 x 8.4 mm, screwable

Model name	Part No.
P45	5308002



Reflector 47 x 47 mm*)

Model name	Part No.
P250	5304812

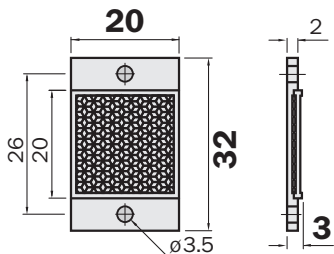


*) Included with delivery WL100 standard types

Micro triple reflectors, plastic design, angular, for temperatures up to 65 °C

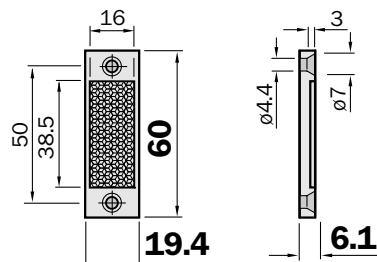
Micro triple reflector 20 x 20 mm, screwable

Model name	Part No.
PL10F	5311210



Micro triple reflector 20 x 40 mm, screwable

Model name	Part No.
PL20F	5308844

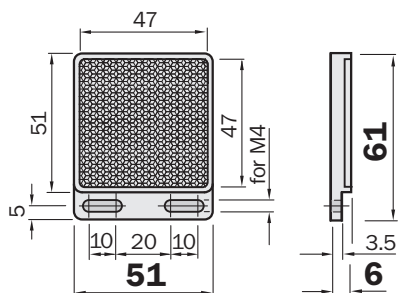


Dimensional drawings and ordering information

Micro triple reflectors, plastic design, angular, for temperatures up to 65 °C

Micro triple reflector 47 x 47 mm

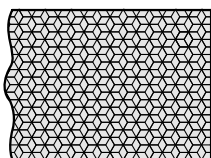
Model name	Part No.
P250F	5308843



Self-adhesive reflective tape for photoelectric sensors with polarization filter

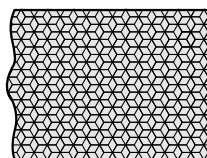
Reflective tape „Diamond Grade“

Cut to size	
Model name	Part No.
REF-DG-K	4019634



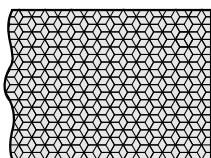
Reflective tape, self-adhesive, length of roll 22.8 m

Model name	Part No.	Width
REF-PLUS-R25	5319929	25 mm
REF-PLUS-R50	5319981	50 mm



Reflective tape, self-adhesive, cut to size

Model name	Part No.	Width
REF-PLUS-R25-K	4051184	25 mm
REF-PLUS-R50	4051185	50 mm



Australia

Phone +61 3 9497 4100
1800 33 48 02 - tollfree
E-Mail sales@sick.com.au

Belgium/Luxembourg

Phone +32 (0)2 466 55 66
E-Mail info@sick.be

Brasil

Phone +55 11 3215-4900
E-Mail sac@sick.com.br

Ceská Republika

Phone +420 2 57 91 18 50
E-Mail sick@sick.cz

China

Phone +852-2763 6966
E-Mail ghk@sick.com.hk

Danmark

Phone +45 45 82 64 00
E-Mail sick@sick.dk

Deutschland

Phone +49 211 5301-301
E-Mail kundenservice@sick.de

España

Phone +34 93 480 31 00
E-Mail info@sick.es

France

Phone +33 1 64 62 35 00
E-Mail info@sick.fr

Great Britain

Phone +44 (0)1727 831121
E-Mail info@sick.co.uk

India

Phone +91-22-4033 8333
E-Mail info@sick-india.com

Israel

Phone +972-4-999-0590
E-Mail info@sick-sensors.com

Italia

Phone +39 02 27 43 41
E-Mail info@sick.it

Japan

Phone +81 (0)3 3358 1341
E-Mail support@sick.jp

Nederlands

Phone +31 (0)30 229 25 44
E-Mail info@sick.nl

Norge

Phone +47 67 81 50 00
E-Mail austefjord@sick.no

Österreich

Phone +43 (0)22 36 62 28 8-0
E-Mail office@sick.at

Polska

Phone +48 22 837 40 50
E-Mail info@sick.pl

Republic of Korea

Phone +82-2 786 6321/4
E-Mail info@sickkorea.net

Republika Slovenija

Phone +386 (0)1-47 69 990
E-Mail office@sick.si

România

Phone +40 356 171 120
E-Mail office@sick.ro

Russia

Phone +7 495 775 05 34
E-Mail info@sick-automation.ru

Schweiz

Phone +41 41 619 29 39
E-Mail contact@sick.ch

Singapore

Phone +65 6744 3732
E-Mail admin@sicksgp.com.sg

Suomi

Phone +358-9-25 15 800
E-Mail sick@sick.fi

Sverige

Phone +46 10 110 10 00
E-Mail info@sick.se

Taiwan

Phone +886 2 2375-6288
E-Mail sales@sick.com.tw

Türkiye

Phone +90 216 587 74 00
E-Mail info@sick.com.tr

United Arab Emirates

Phone +971 4 8865 878
E-Mail info@sick.ae

USA/Canada/México

Phone +1(952) 941-6780
1 800-325-7425 - tollfree
E-Mail info@sickusa.com

More representatives and agencies
in all major industrial nations at
www.sick.com