

## Reflex Array Sensor

# WL27-3 P3402S13



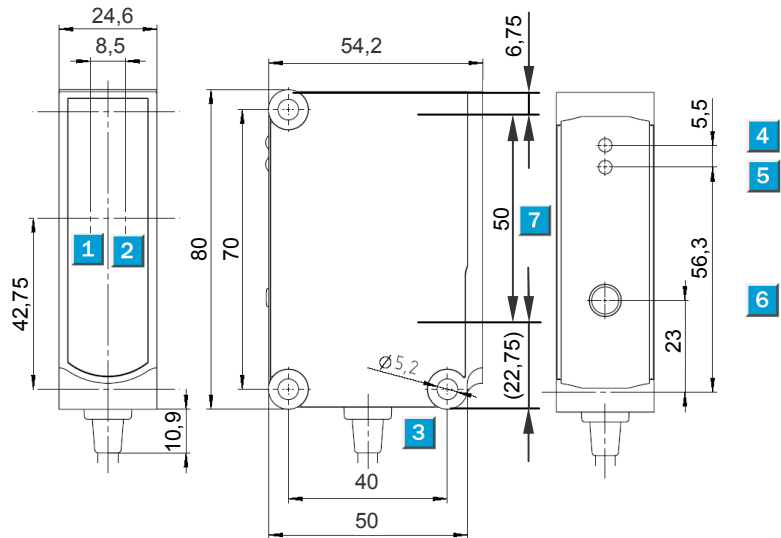
Scanning range  
0.5...4.5 m

Reflex Array Sensor

- Position-independent detection within the light array
- Reduced installation effort in comparison to a light grid and to several individual sensors
- Optical alignment indicator
- More reliable operation due to the continuous automatic adjustment of the switching threshold

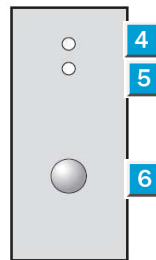


### Dimensional drawing



### Adjustments possible

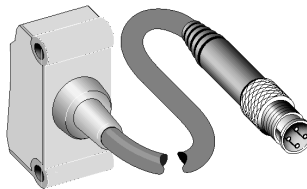
WL27-3P3402S13



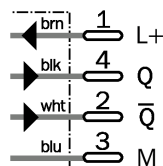
- 1 Optical axis, sender
- 2 Optical axis, receiver
- 3 Mounting hole  $\varnothing 5.2$  mm
- 4 LED indicator, green; power on
- 5 LED indicator, yellow; status of received light beam
- 6 Sensitivity adjustment: single teach button
- 7 Opening of light array

### Connection type

WL27-3P3402S13



M12, 4-pin

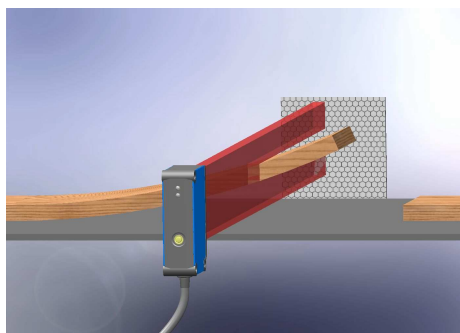
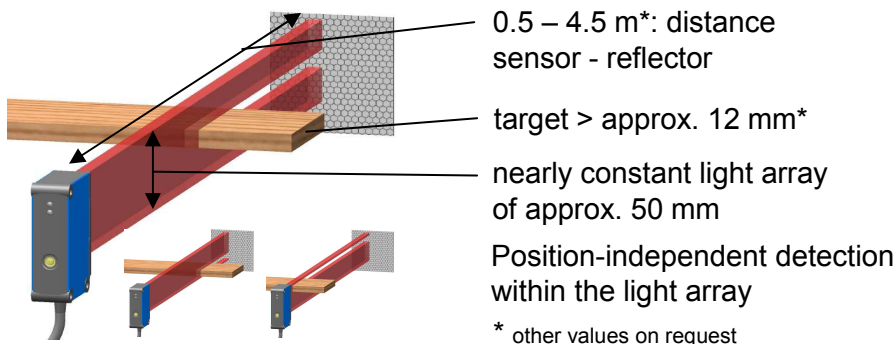


# Reflex Array Sensor, PinPoint Technology, red light - DC

Technical data		WL27-3	P3402S13
Scanning range typ. max.	0.5...4.5 m / PL80A		
Scanning range typ. max.	0.5...2.0 m / PL40A		
Sensitivity adjustment	Teach-in: single teach button		
Light source, light type <sup>1)</sup>	PinPoint LED, red light		
Light array	Approx. 50 x 10mm at 2m distance		
Target size min.	Approx. 12 mm		
Supply voltage $V_s$ <sup>2)</sup>	10 ... 30 V DC		
Ripple <sup>3)</sup>	$\leq 5 V_{PP}$		
Power consumption	$\leq 35$ mA		
Switching output	PNP		
Signal voltage PNP HIGH/LOW	$> V_s - 2.5$ V / approx. 0 V		
Output current $I_o$ max.	100 mA		
Response time <sup>5)</sup>	$\leq 2.5$ ms		
Switching frequency <sup>6)</sup>	200 Hz		
Repeat accuracy	$\sim 300$ $\mu$ s		
Connection type <sup>7)</sup>	Cable with connector, M12, 4-pin, PVC, 270 mm		
VDE protection class <sup>8)</sup>	<input type="checkbox"/>		
Circuit protection <sup>9)</sup>	A, B, C		
Enclosure rating	IP 67		
Ambient temperature operation	- 30 °C ... + 60 °C		
Ambient temperature storage	- 40 °C ... + 75 °C		
Housing material	ABS, PMMA		

- |   |   |                              |   |
|---|---|------------------------------|---|
| 1) Average service life 100.000 h at $T_a = +25$ °C                   | 3) May not exceed or fail short of $V_s$ tolerances | 6) With light/dark ratio 1:1 | 9) A = $V_s$ connections reverse-polarity protected |
| 2) Limit values; operation in short-circuit protected network max. 8A | 4) Without load                                     | 7) Do not bend below 0°C     | B = Outputs short-circuit protected                 |
|   | 5) Signal transit time with resistive load          | 8) Reference voltage 50 V DC | C = Interference pulse suppression                  |

Order information	
Type	Order no.
WL27-3P3402S13	1046538



- Applications:
- precise detection of leading edge for small differences in the height of the target, e.g. board, glass, parcel, bag, pallet
  - prevention of multiple switching of irregular targets, e.g. perforated boxes

**Great Britain**  
 Phone +44 (0)1727 83 11 21  
 E-Mail [info@sick.co.uk](mailto:info@sick.co.uk)

**USA**  
 Phone +1(952) 941-6780  
 tollfree +1-800-325-7425  
 E-Mail [info@sickusa.com](mailto:info@sickusa.com)

**Australia**  
 Phone +61 3 9497 4100  
 tollfree +1800 33 48 02  
 E-Mail [sales@sick.com.au](mailto:sales@sick.com.au)

More representatives and agencies in all major industrial nations at [www.sick.com](http://www.sick.com)

**SICK**  
 Sensor Intelligence.