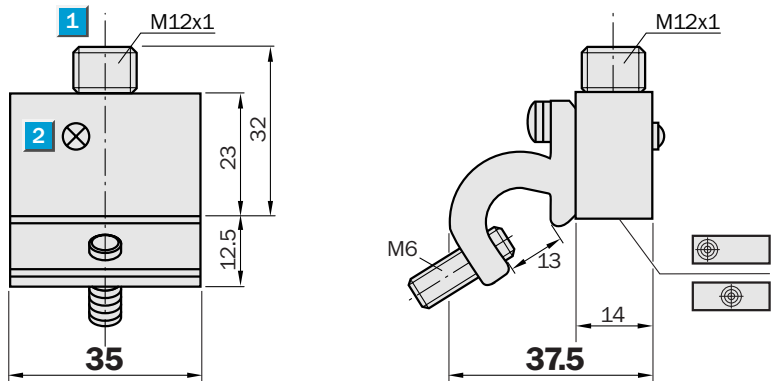
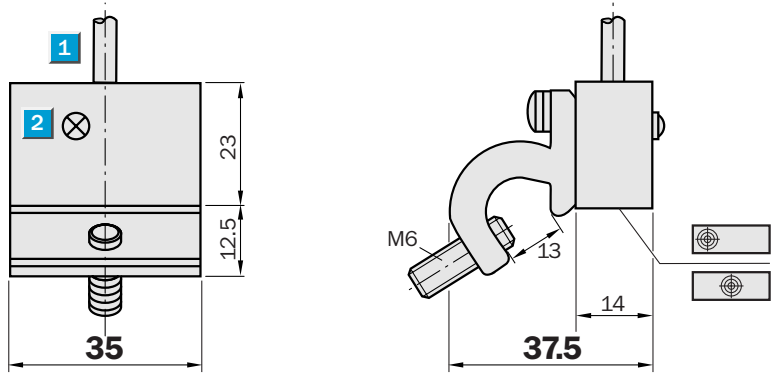


for tie-rod cylinders
Magnetic cylinder sensor

- Mounting on tie-rods with max. rod diameter of 12.5 mm
- High repeat accuracy
- Solid aluminium construction with integrated mounting and plastic housing
- Cable or connector
- LED status indicator

Dimensional drawing



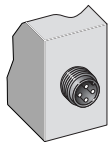
- 1 Connection
- 2 Display LED



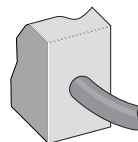
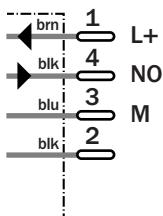
Connection type

MZZ2-03VPS-KCO
MZZ2-03ZPS-KCO

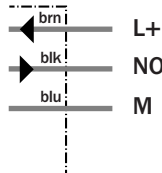
MZZ2-03VPS-KUO
MZZ2-03ZNS-KUO
MZZ2-03ZPS-KUO



M12, 4-pin



3 x 0.25 mm²



See chapter Accessories

Connector, M12, 4-pin

Technical data		MZZ2-	03VPS-KCO	03VPS-KUO	03ZNS-KUO	03ZPS-KCO	03ZPS-KUO					
Sensing face	Centre											
	Front											
Electrical configuration	DC 3-wire											
Supply voltage V_s	DC 10 ... 30 V											
Response sensitivity	3 mT											
Residual ripple V_{pp}	$\leq 10\%$ ¹⁾											
Voltage drop V_d	$\leq 1.5\text{ V}$ ²⁾											
Power consumption	$\leq 10\text{ mA}$ ³⁾											
Continuous current I_a	$\leq 300\text{ mA}$											
Time delay before availability t_v	$\leq 2\text{ ms}$											
Hysteresis H, of s_r	$\leq 1\text{ mm}$											
Repeatability R	$\leq 0.1\text{ mm}$ (U_b and T_a constant)											
EMC	According to EN 60947-5-2											
Switching output	PNP											
	NPN											
Output function	Normally open											
Connection type	Cable, PVC/PUR, 2 m											
	Connector, M12, 4-pin											
Enclosure rating	IP 67 ⁴⁾											
Max. switching frequency	5,000 Hz											
Wire-break protection	✓											
Short circuit protection	✓ ⁵⁾											
Reverse polarity protection	✓											
Power-up pulse suppression	✓											
Shock/vibration stress	30 g, 11 ms / 10 ... 55 Hz, 1 mm											
Ambient operating temperature T_a	-25 °C ... +75 °C											
Housing material	Aluminium, plastic											

¹⁾ of U_b ²⁾ at I_a max ³⁾ without load ⁴⁾ according to EN 60529
⁵⁾ (pulsed)

Order information

Type	Order no.
MZZ2-03VPS-KCO	7 900 624
MZZ2-03VPS-KUO	7 900 622
MZZ2-03ZNS-KUO	7 900 619
MZZ2-03ZPS-KCO	7 900 620
MZZ2-03ZPS-KUO	7 900 618