



## Pick2Light

The innovative solution for bin control on assembly and picking lines.

# The 3-in-1 solution: sensor, Job-LED and reflector in one device.

For assembly lines and picking;  
easy removal and fast access.

## ➔ THE JOB

- 360° visible Job-LED
- Signals the selected bin
- Optically confirms correct access
- Switchable Job-LED: permanently lit or flashing



## ➔ THE PHILOSOPHY

- No bin restriction because the sensor is mounted outside the bin
- For any bin size: The sensor may be mounted horizontally or vertically
- Ergonomic, no injury risk
- Stable aluminium housing





## ▶ THE CONCEPT

The reflective foil on the back of the sensor simultaneously acts as a reflector for the adjacent Pick2Light:

- Avoids additional assembly and cabling
- Saves costs
- Protected from reflections and ambient light
- Ranges up to 2 metres are possible



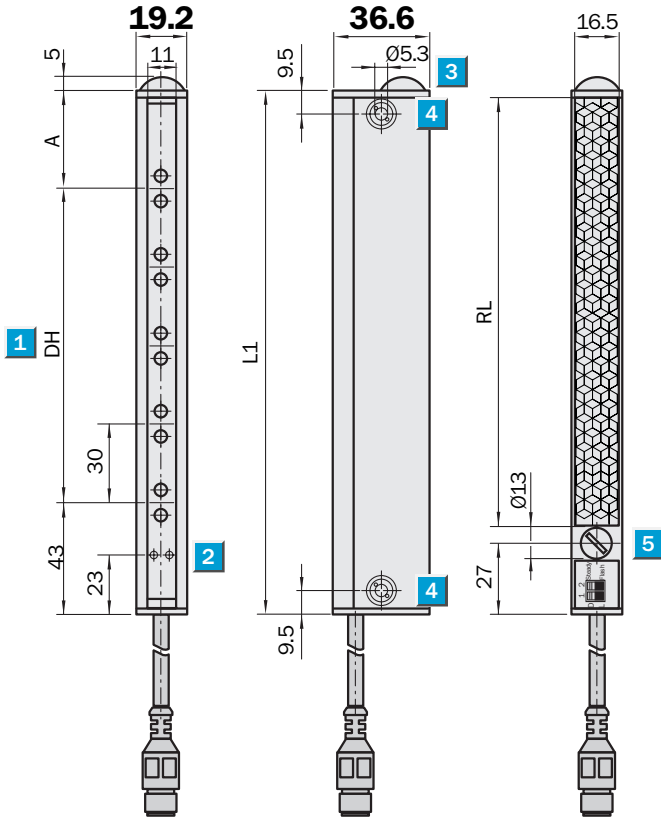
## ▶ THE FLEXIBILITY

- 5 different sensor heights, depending on bin contents
- 2 fixing screws are sufficient
- Slides easily in the profile
- For T slots, Bosch profiles, ITEM profiles etc.



- Picking light grid
- Reliable hand detection
- Easy set up
- Industrial housing
- Steady/flashing Job-LED
- Light/dark switching

## Dimensional drawing



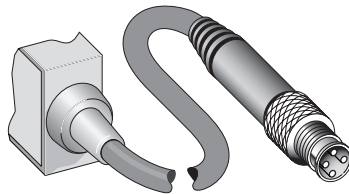
DH	A	L1	RL
120	36	199	162
210	26	279	242
270	36	349	312
360	26	429	392
420	36	499	462

- 1 Detection height (DH) 120 to 420 mm
- 2 Indicator Power On: green; beam status: yellow
- 3 Green Job-LED
- 4 Configuration switches
- 5 Mounting holes  $\varnothing$  5.3 mm



## Connection types

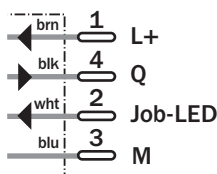
PLG3-xxxF431



M12, 4-pin, with 280 mm cable

## Accessories

- Cables and connectors
- Reflectors
- Mounting brackets (on request)



Technical data		PLG3-	120 F431	210 F431	270 F431	360 F431	420 F431					
Scanning range, typ. max.	0.1 ... 1.5 m/REF-PLG											
	0.1 ... 2.0 m/PL150											
Detection height	120 mm											
	210 mm											
	270 mm											
	360 mm											
	420 mm											
Supply voltage $V_S$	15 ... 30 V DC <sup>1)</sup>											
Residual ripple	< 10 % within $V_S$ tolerances											
Current consumption <sup>2)</sup> sender	Typ. 45 mA											
	Job LED Typ. 10 mA											
Light source	LED, visible red light											
Connection	M12, 4-pin with 280 mm cable											
Switching output <sup>3)</sup>	PNP output: Q											
Operating mode	Dark & light switching (per switch)											
Output current $I_A$ max.	100 mA											
Output load	Capacitive load: 100 nF/											
	Inductive load: 1 H											
Response time <sup>4)</sup>	< 100 ms											
Initialisation period	Max. 600 ms											
Input Job LED activate	Input to $V_S$ (15 ... 30 V DC)											
Input current $I_A$ max.	12 mA											
VDE protection class	⚡											
Circuit protection <sup>5)</sup>	A, B, C											
Enclosure rating	IP 54											
Ambient temperature $T_A$	Operation -10 ... +55 °C											
	Storage -25 ... +70 °C											
Mechanical resistance	Vibration: 5 g/10-55/s - IEC 68-2-6											
	Shock: 10 g/16 ms - IEC 68-2-29											
Weight	Approx. 200 g <sup>6)</sup>											
Material	Housing	Aluminium, anodized										
	Front lens	PMMA										

<sup>1)</sup> Limit values

<sup>2)</sup> Without load at  $V_S = 24$  V, without Job LED

<sup>3)</sup> NPN on request

<sup>4)</sup> With resistive load

<sup>5)</sup> A =  $V_S$ -connection, reverse polarity protected

B = Outputs short-circuit protected

C = Interference suppression

<sup>6)</sup> Increment: 50 g / 50 mm detection height

Optical performance						
Beam spacing	Detection height	MDO: minimum detectable object size				
		in front of PLG	at 0.3 m	at 0.6 m	1.0 m	
30 mm	120 ... 420 mm	30 mm	45 mm	60 mm	80 mm	

MDO: Minimum Detectable Object size for non-moving objects measured in a direction parallel to Pick2light

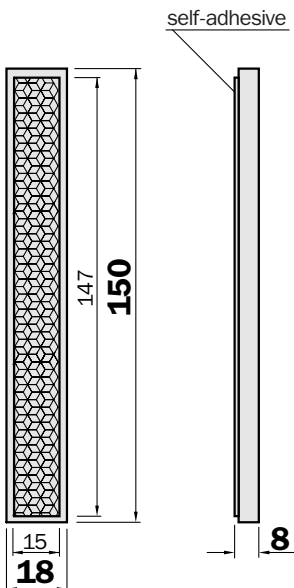
Min./operating/max. range vs reflector		Order information	
	1	REF-PLG	Type
	2	PL150	Order no.
	3	PL180	
<b>Configuration over switches:</b> 		PLG3-120F431	1028953
		PLG3-210F431	1028548
		PLG3-270F431	1029130
		PLG3-360F431	1029131
		PLG3-420F431	1029132
<b>Switch 1:</b> D: Dark switching L: Light switching			
<b>Switch 2:</b> Steady: Job-LED steady Flash: Job-LED flashes, 3 Hz			

Dimensional drawings and order information

Plastic design for temperatures up to 65 °C

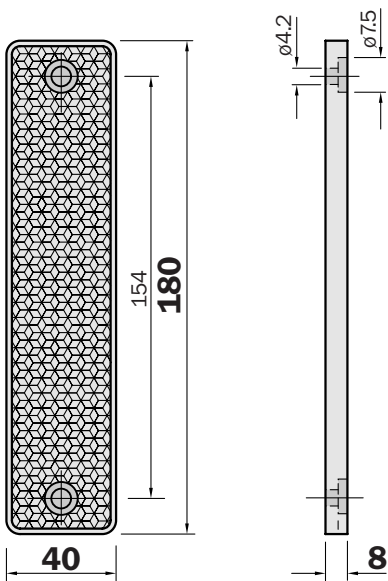
Reflector 15 x 150 mm<sup>2</sup>, self-adhesive

Type	Order no.
PL150	5315548



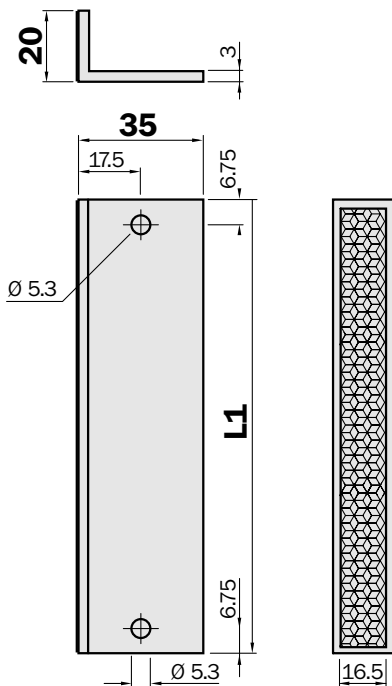
Reflector 40 x 180 mm<sup>2</sup>

Type	Order no.
PL180 E01	1013289



Reflector, Diamond Grade on aluminium profile for Pick2Light, same mask as sensor

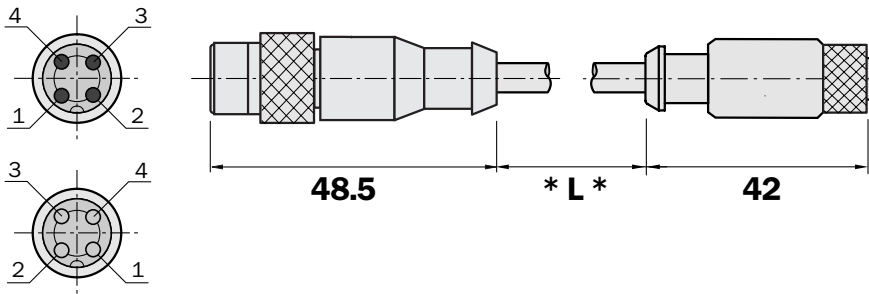
Type	Order no.	L1
REF-PLG120	1029196	194.3
REF-PLG210	1029197	274.3
REF-PLG270	1029198	344.3
REF-PLG360	1029199	424.3
REF-PLG420	1021200	494.3



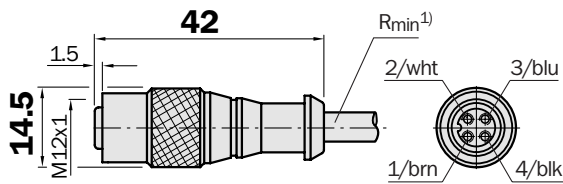
Dimensional drawings and order information

SENSICK round connectors 4-pin, M12, enclosure rating IP 67

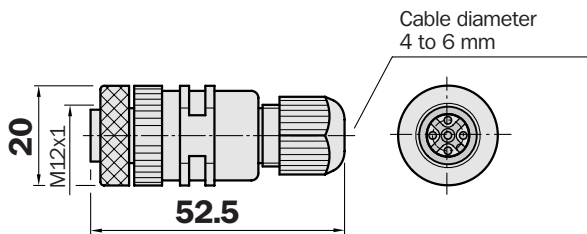
Female connector 4-pin, M12 straight			
Cable diameter 5 mm, 4 x 0,25 mm <sup>2</sup> , coating PVC			
Type	Order no.	Contacts	Cable length
DSL-1204-G0M6	6022565	4	0.6 m
DSL-1204-G02M	6022567	4	2 m
DSL-1204-G05M	6022569	4	5 m



Female connector 4-pin, M12 straight			
Cable diameter 5 mm, 4 x 0.25 mm <sup>2</sup> , coating PVC			
Type	Order no.	Contacts	Cable length
DOL-1204-G02M	6009382	4	2 m
DOL-1204-G05M	6009866	4	5 m
DOL-1204-G10M	6010543	4	10 m



Female connector 4-pin, M12 straight			
Type	Order no.	Contacts	Terminal screwed for cables Ø 4.5 to 6.5 mm
DOS-1204-G	6007302	4	



**Australia**

Phone +61 3 9497 4100  
1800 33 48 02 - tollfree  
E-Mail sales@sick.com.au

**Belgium/Luxembourg**

Phone +32 (0)2 466 55 66  
E-Mail info@sick.be

**Brasil**

Phone +55 11 5091-4900  
E-Mail sac@sick.com.br

**Ceská Republika**

Phone +420 2 57 91 18 50  
E-Mail sick@sick.cz

**China**

Phone +852-2763 6966  
E-Mail ghk@sick.com.hk

**Danmark**

Phone +45 45 82 64 00  
E-Mail sick@sick.dk

**Deutschland**

Phone +49 (0)2 11 53 01-250  
E-Mail info@sick.de

**España**

Phone +34 93 480 31 00  
E-Mail info@sick.es

**France**

Phone +33 1 64 62 35 00  
E-Mail info@sick.fr

**Great Britain**

Phone +44 (0)1727 831121  
E-Mail info@sick.co.uk

**India**

Phone +91-22-2822 7084  
E-Mail info@sick-india.com

**Italia**

Phone +39 02 27 40 93 19  
E-Mail info@sick.it

**Japan**

Phone +81 (0)3 3358 1341  
E-Mail info@sick.jp

**Nederlands**

Phone +31 (0)30 229 25 44  
E-Mail info@sick.nl

**Norge**

Phone +47 67 81 50 00  
E-Mail austefjord@sick.no

**Österreich**

Phone +43 (0)22 36 62 28 8-0  
E-Mail office@sick.at

**Polska**

Phone +48 22 837 40 50  
E-Mail info@sick.pl

**Republic of Korea**

Phone +82-2 786 6321/4  
E-Mail kang@sickkorea.net

**Republika Slovenija**

Phone +386 (0)1-47 69 990  
E-Mail office@sick.si

**Russia**

Phone +7 95 775 05 30  
E-Mail info@sick-automation.ru

**Schweiz**

Phone +41 41 619 29 39  
E-Mail contact@sick.ch

**Singapore**

Phone +65 6744 3732  
E-Mail admin@sicksdp.com.sg

**Suomi**

Phone +358-9-25 15 800  
E-Mail sick@sick.fi

**Sverige**

Phone +46 8 680 64 50  
E-Mail info@sick.se

**Taiwan**

Phone +886 2 2365-6292  
E-Mail sickgrc@ms6.hinet.net

**Türkiye**

Phone +90 216 587 74 00  
E-Mail info@sick.com.tr

**USA/Canada/México**

Phone +1(952) 941-6780  
1 800-325-7425 - tollfree  
E-Mail info@sickusa.com

More representatives and agencies  
in all major industrial nations at  
[www.sick.com](http://www.sick.com)