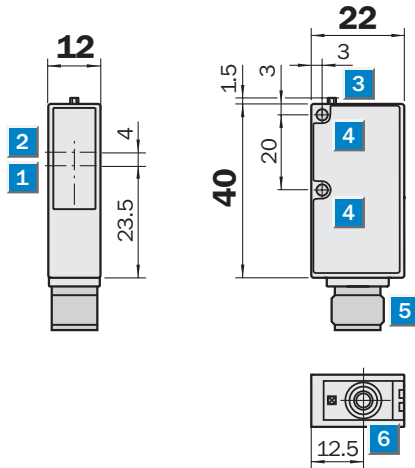


	<b>Scanning distance</b> <b>12.5 mm</b>
<b>Contrast sensor</b>	

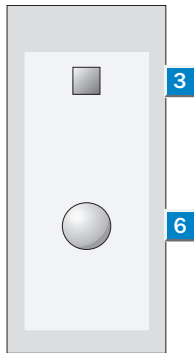
- Light source white
- Integrated switching threshold adjustment for detection of extremely shiny objects
- Static 2-point Teach-in to mark and Background via control cable or control panel on unit
- Switching frequency 10,000/s

**Dimensional drawing**



**Adjustments possible**

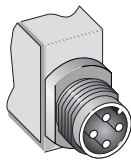
All types



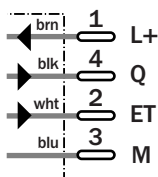
- 1** Axis of the sender optics
- 2** Axis of the receiver optics
- 3** LED signal strength indicator
- 4** Mounting hole
- 5** Plug M12, 4-pin
- 6** Teach-in button

**Connection type**

All types



4-pin, M12



**Accessories**

- Cables and connectors
- Mounting systems

Technical data		KT3	M-P	M-N								
			1116	1116								
<b>Scanning distance</b>	12.5 mm, ± 2 mm											
from front edge of lens												
<b>Light spot dimensions</b>	1.5 x 6.5 mm											
<b>Light source<sup>1)</sup>; light type</b>	LED; white											
<b>Supply voltage V<sub>S</sub><sup>2)</sup></b>	12 ... 24 V DC											
Residual ripple <sup>3)</sup>	< 5 V <sub>pp</sub>											
Current consumption <sup>4)</sup>	< 35 mA											
<b>Switching outputs</b>	PNP: HIGH = V <sub>S</sub> - < 2 V/LOW = approx. 0 V											
	NPN: HIGH = V <sub>S</sub> /LOW = < 2 V											
Output current I <sub>A</sub> max.	100 mA											
Response time <sup>5)</sup>	50 μs											
Switching frequency <sup>6)</sup>	To 10,000/s											
<b>Time delay</b>	No timing element											
<b>Teach-in input ET</b>	PNP: Teach > 10 V...< V <sub>S</sub>											
	NPN: Teach 0 V											
<b>Connection type</b>	Plug 4-pin, M12											
<b>VDE protection class<sup>7)</sup></b>	<input type="checkbox"/>											
<b>Enclosure rating</b>	IP 67											
<b>Circuit protection<sup>8)</sup></b>	A, B, C											
<b>Ambient temperature</b>	Operation -10 ... +55 °C											
	Storage -20 ... +75 °C											
<b>Shock load</b>	To IEC 68											
<b>Weight</b>	Approx. 80 g											
<b>Housing material</b>	ABS (plastic)											
<b>Switching threshold adjustment/</b>												
<b>Teach-in</b>	Static 2-point Teach-in											

<sup>1)</sup> Average service life 100,000 h at T<sub>A</sub> = +25 °C  
<sup>2)</sup> Limit values: 12 V DC (-10 %) ... 24 V DC (+20 %)

<sup>3)</sup> May not exceed or fall short of V<sub>S</sub> tolerances  
<sup>4)</sup> Without load  
<sup>5)</sup> Signal transit time with resistive load

<sup>6)</sup> With light/dark ratio 1:1  
<sup>7)</sup> Reference voltage 32 V DC

<sup>8)</sup> A = V<sub>S</sub> connections reverse-polarity protected  
 B = Output Q short-circuit protected  
 C = Interference pulse suppression

Scanning distance	Order information
<b>1</b> Scanning distance 12.5 mm	<b>Preferred type *)</b> <b>Order no.</b>
	KT3M-P1116            1044235
	KT3M-N1116            1044593

\*) Further types on request

