

XLG

Modular light grid - highest immunity to ambient light

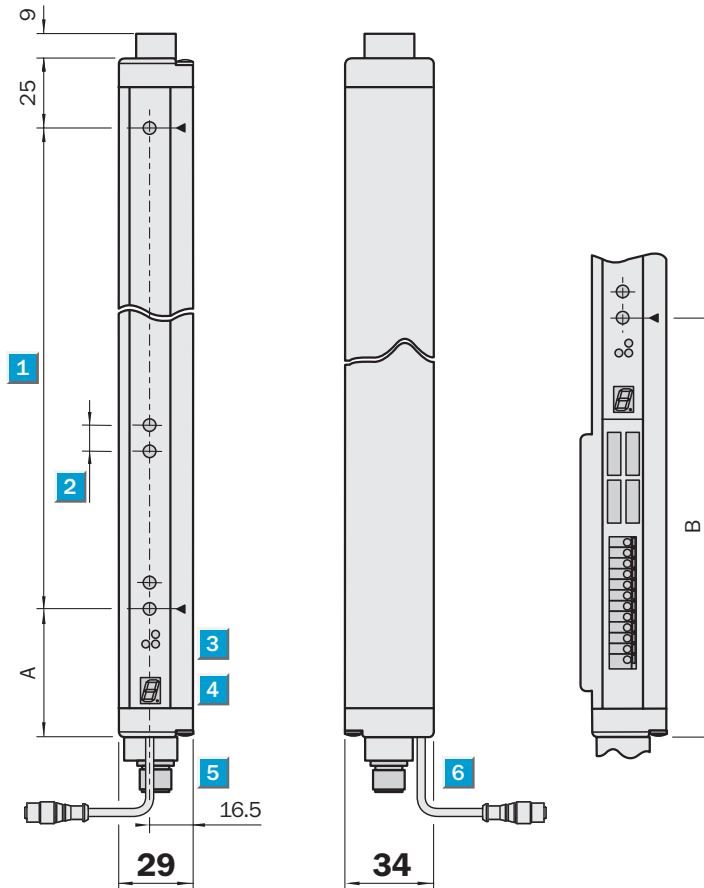


Scanning range
0 ... 5 m

Modular light grid

- High modularity:
beam spacing, detection height, scanning range and interface
- Compact housing
- Short response time
- Teach-in for optimal sensitivity adjustment
- MLGsetup software for visualisation and parameterisation (included)

Dimensional drawing



Distance: XLG edge - first beam

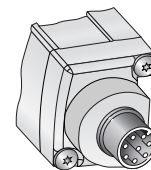
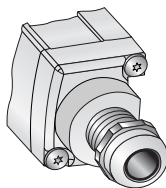
Dimensions (mm)	A	B
XLG3 30 mm	69	180
XLG5 50 mm	89	200

- 1 Detection height (see optical performance)
- 2 Beam spacing 30, 50 mm
- 3 Status indicator: LED green/LED yellow/LED red
- 4 Indicator panel, 7-segment display
- 5 PG9/M12 plug, 8-pin
- 6 Configuration M8 plug, 4-pin

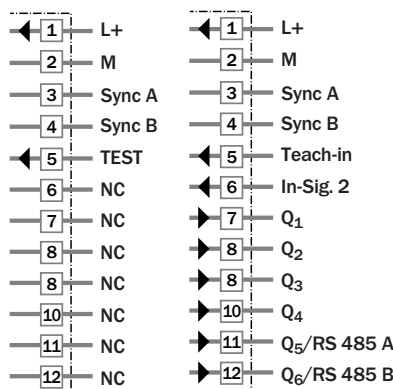
Connection types

XLGx-xxxxx2x2

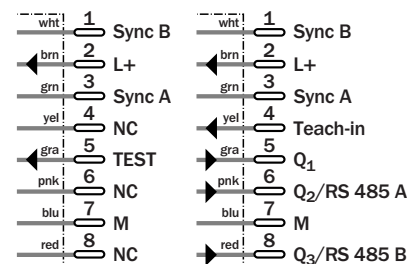
XLGx-xxxxx8x2



PG9, terminals	Receiver
----------------	----------



8-pin, M12	Receiver
------------	----------



Technical data		XLG	x								
Beam spacing ¹⁾	30 mm/50 mm										
Maximum number of beams	Max. 62 beams										
Scanning range	0 ... 5 m										
Synchronization mode ²⁾	Synchronized by cable sync A/sync B										
Supply voltage V _S ³⁾	15 ... 30 V DC										
Current consumption sender	< 140 mA + 2 mA/beam										
Current consumption receiver ⁴⁾	< 100 mA + 3 mA/beam										
Teach-in	External Teach-in input										
Teach-in	PNP: Teach > 10 V ... < V _S										
Output current I _A max.	100 mA per output ⁵⁾										
Output load	Capacitive load: 100 nF/output Inductive load: 1 H/output										
Output/operating mode	Configurable with MLGsetup ⁶⁾										
Response time ⁷⁾	Default 150 µs per beam + 1 ms ⁸⁾										
Alarm output (configurable)	Default setting on Q ₃										
Data interface	RS-485 ⁹⁾										
Configuration plug ¹⁰⁾	4-pin, M8 plug, RS-232: 9.6 kBaud fix ¹¹⁾										
Test input »TE«	Sender OFF: Test input to V _S										
Immunity to ambient light ¹²⁾	100,000 lx continuous light, directly (> 150,000 lx indirectly light)										
VDE protection class	III										
Circuit protection ¹³⁾	A, B, C										
Enclosure rating ¹⁴⁾	IP 65										
Ambient temperature	Operation -25 ... +55 °C Storage -40 ... +70 °C										
Mechanical resistance	Vibration: 5 g/10-55 Hz – IEC 68-2-6 Shock: 10 g/10 ms – IMC 68-2-29										
Weight (with PG9)	Approx. 1480 g ¹⁵⁾										
Material	Housing Aluminium anodized Front lens PMMA										

1) See order information
 2) Sender (XLGS) and receiver (XLGE)
 3) Limit values
 4) Without load at V_S = 24 V
 5) Max. Σ = 550 mA
 6) Default settings as XLG Standard
 7) With resistive load
 8) Depends on selected basic function
 9) Configurable with MLGsetup
 10) Plug built on receiver (XLGE)
 11) For visualisation and configuration with MLGsetup
 12) 100,000 lx at 5 m range
 13) A = V_S-connections reverse polarity protected
 B = Outputs Q and Q̄ short-circuit protected
 C = Interference pulse suppression
 14) For outdoor use only with additional protection
 15) 1480 g for 1200 m detection height, increment 160 g per 150 mm

	Optical performance				
	Detection height			MDO: Minimum Detectable Object ¹⁶⁾	
	Minimum	Increment	Maximum	Beam spacing	MDO
XLG3:	120 mm	150 mm	1920 mm	30 mm	35 ¹⁷⁾
XLG5:	100 mm	150 mm	3100 mm	50 mm	55 ¹⁷⁾

16) MDO for non-moving objects measured in a direction parallel to the XLG
 17) Scanning range: 5 m

Scanning range = 0 ... 5 m/Type: programmable with MLGsetup				
Type	Order no.	Height	Beams	Switching outputs
XLG3-01020F812	1046353	1020 mm	35	3 x PNP outputs, 1 input
XLG0-01900I212	1045611	1900 mm	59	RS 485, 4 x PNP outputs, 2 inputs

Great Britain
 Phone +44 (0)1727 83 11 21
 E-Mail info@sick.co.uk

USA
 Phone +1(952) 941-6780
 tollfree +1-800-325-7425
 E-Mail info@sickusa.com

Australia
 Phone +61 3 9497 4100
 tollfree +1800 33 48 02
 E-Mail sales@sick.com.au

More representatives and agencies in all major industrial nations at www.sick.com



2008-11-03 · GO/GO · Printed in Germany (2008-11) · Subject to change without notice · 01 lin en32