



LUT2-2 Luminescence Sensors

High performance in miniatur format

- Small plastic housing
- High system sensitivity
- Static teach-in on mark and/or background via control panel or control cable
- Fast switching speed 500/s and 2,000/s

High performance in miniatur format

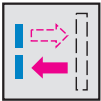


Image similar

Product description

The second generation LUT2-2 is ideal for applications where fluorescent marks need to be reliably detected in confined spaces. Even when the level of luminescence is low, the LUT2-2 detects fluorescent marks using its enhanced system

sensitivity. This mini-luminescence sensor can easily be adjusted using a simple teach-in procedure. Thanks to a switching frequency of up to 2 kHz, the LUT2-2 is also suitable for high machine production capacities.

At a glance

- Small plastic housing
- High system sensitivity
- Static teach-in on mark and/or background via control panel or control cable
- Fast switching speed 500/s and 2,000/s

Your benefits

- Compact size enables easy integration into any machine
- Fast and easy set up, saves time and money
- Increased reliability and precision enable fast response time



Further information

Detailed technical data.....	3
Ordering information.....	3
Dimensional drawing.....	4
Adjustments possible.....	4
Connection type and diagram.....	4
Recommended accessories.....	5

Detailed technical data

Features

Light source	UV-LED ¹⁾
Light emission	Long side
Filter	KV 418 (Standard)

¹⁾ Average service life 100,000 h at Ta = +25 °C.

Mechanics/electronics

Supply voltage V _s	DC ≥ 24 V ± 20 %
Ripple	≤ 5 Vpp ¹⁾
Power consumption	≤ 30 mA (Without load)
Output current I _A max.	≤ 100 mA
Switching frequency	0.5 kHz, 2 kHz ²⁾ , adjustable
Response time	1 ms, 250 μs ³⁾ , adjustable
Switching output	PNP: HIGH = UV - < 2 V / LOW = 0 V NPN: HIGH = UV / LOW = < 2 V
Connection	Connector, M12, 4-pin
VDE protection class	II ⁴⁾
Circuit protection	A (Vs connections reverse-polarity protected) B (Output Q short-circuit protected) C (Interference suppression)
Enclosure rating	IP 67
Weight	± 80 g
Housing material	ABS

¹⁾ May not exceed or fall short of Vs tolerances.

²⁾ With light/dark ratio 1:1, no time delay.

³⁾ Signal transit time with resistive load.

⁴⁾ Reference voltage 50 V DC.

Ambient data

Ambient temperature	Operation: -10 °C ... 55 °C Storage: -25 °C ... 75 °C
Shock load	IEC 68

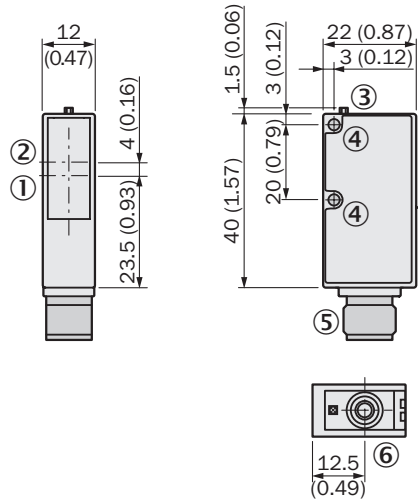
Ordering information

Scanning range	Operating range	Light spot size	Receiving range	Switching mode	Type	Part number
12.5 mm ¹⁾	10 mm ... 15 mm	2 mm x 2.5 mm ²⁾	450 nm ... 750 nm	PNP	LUT2-2P1116	1048505
				NPN	LUT2-2N1116	1048506

¹⁾ From front edge of lens.

²⁾ At scanning distance.

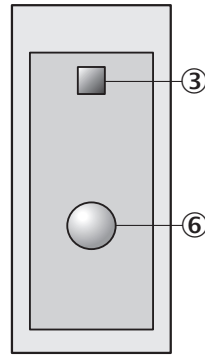
Dimensional drawing



All dimensions in mm (inch)

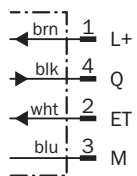
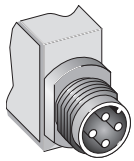
- ① Axis of the sender optics
- ② Axis of the receiver optics
- ③ LED signal strength indicator
- ④ Mounting hole, \varnothing 3.2 mm
- ⑤ M12 plug, 4-pin
- ⑥ Teach-in button

Adjustments possible



Connection type and diagram

M12, 4-pin

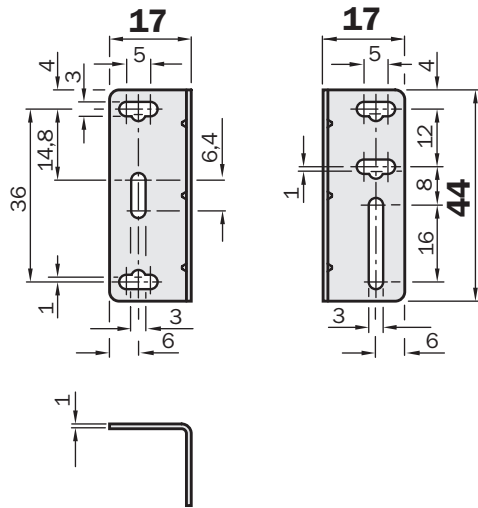


Recommended accessories

Mounting systems

Mounting system type	Type	Part number
Mounting bracket	BEF-WN-W9-2	2022855

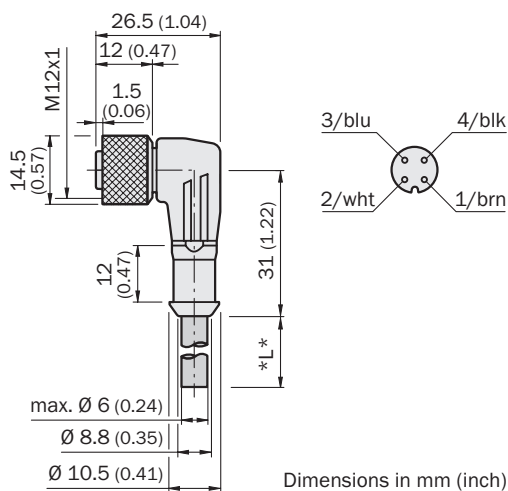
BEF-WN-W9-2



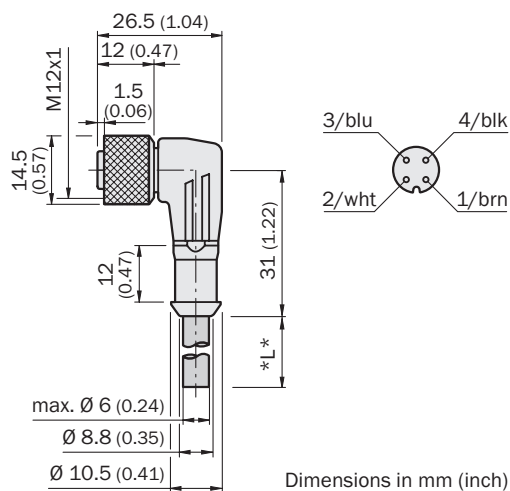
Connector, M12, 4-pin

Connector type	Sheath material	Flying leads	Cable length	Enclosure rating	Type	Part number	
Female connector	PVC	Straight	2 m	IP 68	DOL-1204-G02M	6009382	
			5 m	IP 68	DOL-1204-G05M	6009866	
			10 m	IP 68	DOL-1204-G10M	6010543	
		Angled	2 m	IP 68	DOL-1204-W02M	6009383	
			5 m	IP 68	DOL-1204-W05M	6009867	
			10 m	IP 68	DOL-1204-W10M	6010541	
			Straight		IP 67	DOS-1204-G	6007302
			Angled		IP 67	DOS-1204-W	6007303

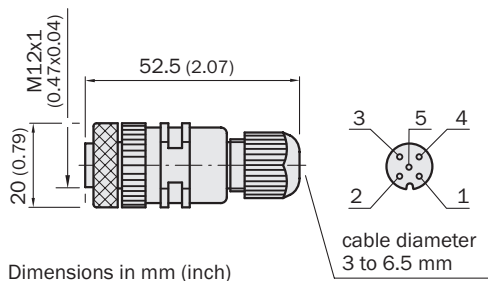
DOL-1204-G02M
DOL-1204-G05M
DOL-1204-G10M



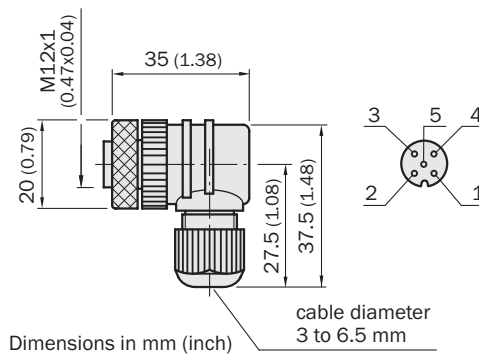
DOL-1204-W02M
DOL-1204-W05M
DOL-1204-W10M



DOS-1204-G



DOS-1204-W



Australia

Phone +61 3 9497 4100
1800 33 48 02 - tollfree
E-Mail sales@sick.com.au

Belgium/Luxembourg

Phone +32 (0)2 466 55 66
E-Mail info@sick.be

Brasil

Phone +55 11 3215-4900
E-Mail sac@sick.com.br

Ceská Republika

Phone +420 2 57 91 18 50
E-Mail sick@sick.cz

China

Phone +852-2763 6966
E-Mail ghk@sick.com.hk

Danmark

Phone +45 45 82 64 00
E-Mail sick@sick.dk

Deutschland

Phone +49 211 5301-301
E-Mail kundenservice@sick.de

España

Phone +34 93 480 31 00
E-Mail info@sick.es

France

Phone +33 1 64 62 35 00
E-Mail info@sick.fr

Great Britain

Phone +44 (0)1727 831121
E-Mail info@sick.co.uk

India

Phone +91-22-4033 8333
E-Mail info@sick-india.com

Israel

Phone +972-4-999-0590
E-Mail info@sick-sensors.com

Italia

Phone +39 02 27 43 41
E-Mail info@sick.it

Japan

Phone +81 (0)3 3358 1341
E-Mail support@sick.jp

Nederlands

Phone +31 (0)30 229 25 44
E-Mail info@sick.nl

Norge

Phone +47 67 81 50 00
E-Mail austefjord@sick.no

Österreich

Phone +43 (0)22 36 62 28 8-0
E-Mail office@sick.at

Polska

Phone +48 22 837 40 50
E-Mail info@sick.pl

Republic of Korea

Phone +82-2 786 6321/4
E-Mail kang@sickkorea.net

Republika Slovenija

Phone +386 (0)1-47 69 990
E-Mail office@sick.si

România

Phone +40 356 171 120
E-Mail office@sick.ro

Russia

Phone +7 495 775 05 34
E-Mail info@sick-automation.ru

Schweiz

Phone +41 41 619 29 39
E-Mail contact@sick.ch

Singapore

Phone +65 6744 3732
E-Mail admin@sicksgp.com.sg

Suomi

Phone +358-9-25 15 800
E-Mail sick@sick.fi

Sverige

Phone +46 10 110 10 00
E-Mail info@sick.se

Taiwan

Phone +886 2 2375-6288
E-Mail sales@sick.com.tw

Türkiye

Phone +90 216 587 74 00
E-Mail info@sick.com.tr

United Arab Emirates

Phone +971 4 8865 878
E-Mail info@sick.ae

USA/Canada/México

Phone +1(952) 941-6780
1 800-325-7425 - tollfree
E-Mail info@sickusa.com

More representatives and agencies
in all major industrial nations at
www.sick.com