



The all-in-one.
OPS 400 OMNI Portal Scanner.
High performance in
a compact package.

Omni line

SICK

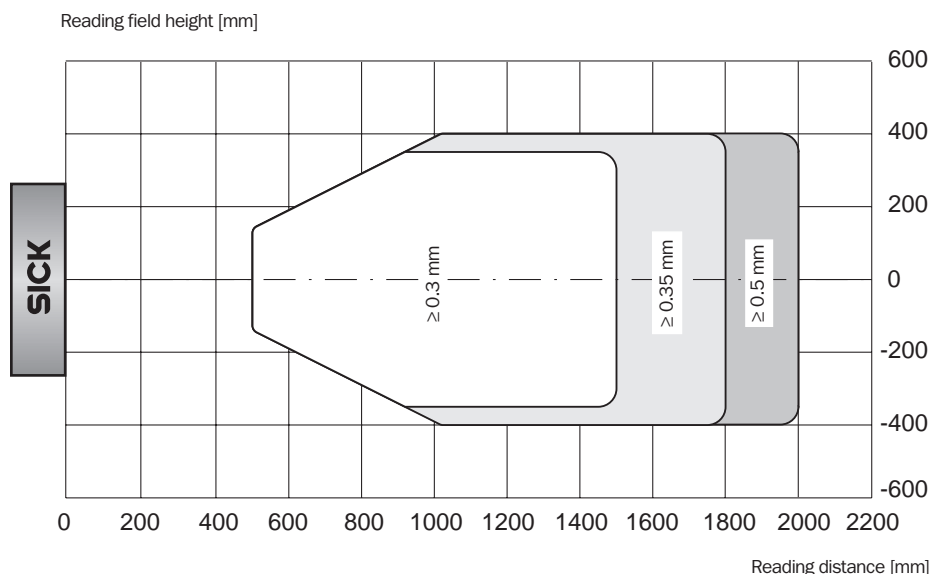
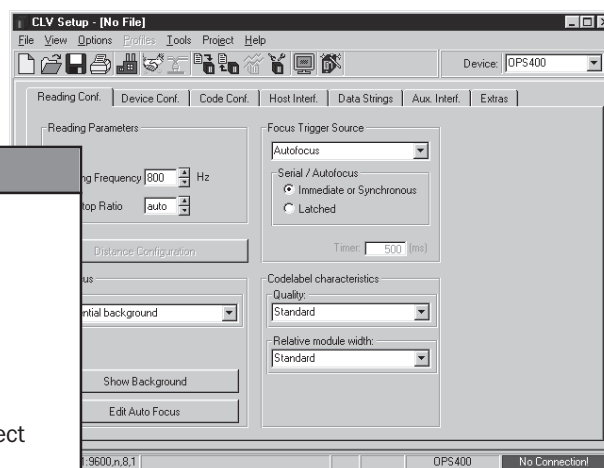
High Performance in a compact package.

Introducing the OPS 400 as a simplified, new operational concept.

It provides a compact solution for omnidirectional scanning applications. Integrated into a single industrial housing, this omni portal system provides high scan frequency and a wide scan angle to accommodate fast conveyor speeds and wide conveyor widths.



- THE OPS 400 AT A GLANCE**
- Compact, industrial housing
 - Plug-and-Play (optimized CLV Setup)
 - Tracking option for closely spaced objects
 - Max. scanning/decoding frequency: 1 200 Hz
 - Real-time AUTO FOCUS function
 - Versions available: Standard-, high- or low density
 - No additional components required to detect the object distance
 - Reliable code recognition using SMART technology
 - Flash-PROM upgradeable



Reading conditions:
 Test code: Code 128
 Print contrast: > 90%
 Ambient light: < 2000 lx

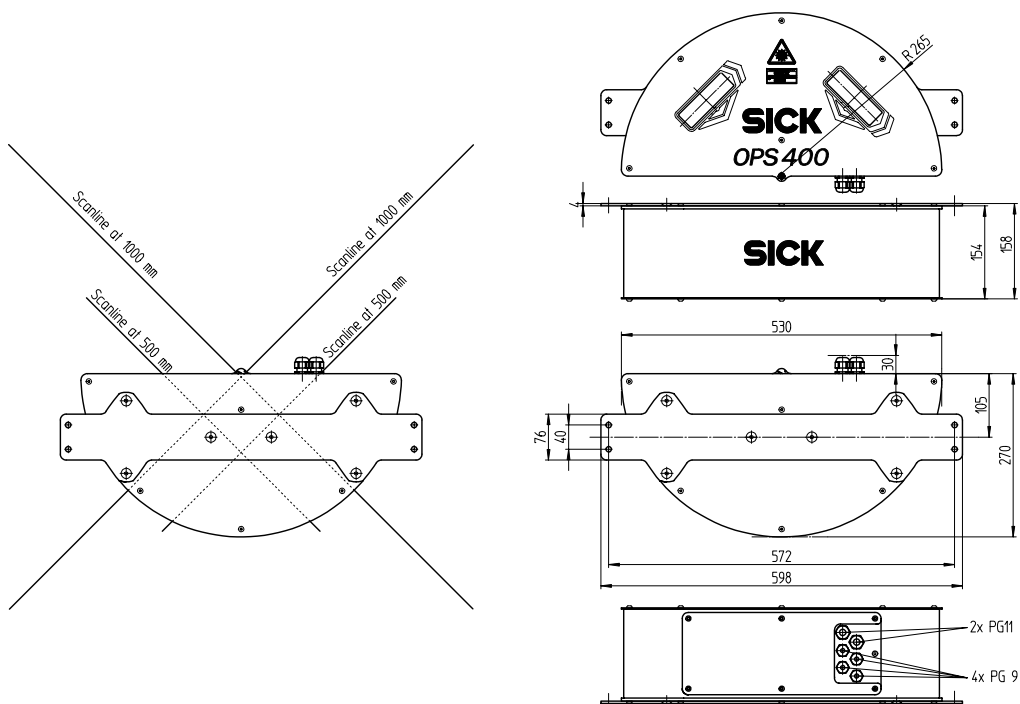
Tilt: Omnidirectional
Pitch: -15° ... +15°
Skew: -15° ... +15°

Reading field diagram of OPS 400 - standard density

OPS 400 OMNI Portal Scanner	
Design	2 lines X-pattern (90°)
Light source	Laser diode, red light ($\lambda= 650 \text{ nm}$)
Laser class	2 (to EN 60825-1)
Ambient light sensitivity	2000 lux (on bar code)
Scanning frequency	600 ... 1 200 Hz
Covered conveyor width	800 mm (standard and low density) 700 mm (high density)
Operation and parameterization	With Windows-based CLV-Setup software or command strings
Indicators	26 LED status and function indicators
Data interface	Host: RS 232, RS 422/485; Terminal: RS 232
Switching inputs/ outputs	16 x IN / 4 x OUT / 1 x OUT relays
Operating voltage	85 ... 264 V AC (100 ... 240 V AC +10 %/-15 %)
Power consumption	Typical 30 W, max. 70 W
Electrical connections	2 x 9-pin D Sub plug/socket and terminals
Housing	Stainless steel with aluminium on top and bottom
Enclosure rating	IP 54 / optics IP 65 (to DIN 40 050)
Protection class	Class 3 (to VDE 0106)
EMC test	To IEC 801
Weight	Approx. 10.7 kg
Temperature (ambient operating/storage)	0 ... +40 °C/-20 ... +70 °C



All dimensions in mm



SICK

SICK AG
Auto Ident
Nimburger Straße 11
79276 Reute
Germany
www.sick.de

Australia

Phone +61 3 9497 4100
(0 08) 33 48 02-toll free
Fax +61 3 9497 1187

Austria

Phone +43 22 36/62 28 8-0
Fax +43 22 36/62 28 85

Belgium/Luxembourg

Phone +32 24 66 55 66
Fax +32 24 63 35 07

Laser Measurement Systems:

Phone +32 9 2240 394
Fax +32 9 2235 645

Brazil

Phone +55 11 5561 2683
Fax +55 11 5535 4153

China/ Hong Kong

Phone +85 2 2763 6966
Fax +85 2 2763 6311

Czech Republic

Phone +42 02-579 11 850
+42 02-578 10 561
Fax +42 02-578 10 559

Denmark

Phone +45 45 82 64 00
Fax +45 45 82 64 01

Finland

Phone +358 9-728 85 00
Fax +358 9-72 88 50 55

France

Phone +33 1 64 62 35 00
Fax +33 1 64 62 35 77

Germany

Phone (+49 2 11) 53 01-0
Fax (+49 2 11) 53 01-1 00

Great Britain

Phone +44 17 27-83 11 21
Fax +44 17 27-85 67 67

Italy

Phone +39 02-92 14 20 62
Fax +39 02-92 14 20 67

Japan

Phone +81 3 3358 1341
Fax +81 3 3358 0586

Netherlands

Phone +31 30 229 25 44
Fax +31 30 229 39 94

Laser Measurement Systems:

Phone +31 73 599 50 44
Fax +31 73 599 47 18

Norway

Phone +47 67 81 50-0
Fax +47 67 81 50-01

Poland

Phone +48 22 837 40 50
Fax +48 22 837 43 88

Singapore

Phone +65 744 3732
Fax +65 841 7747

Spain

Phone +34 93 4 80 31 00
Fax +34 93 4 73 44 69

Sweden

Phone +46 8-680 64 50
Fax +46 8-710 18 75

Switzerland

Phone +41 41 61 92 93 9
Fax +41 41 61 92 92 1

Taiwan

Phone +886 2 2365-6292
Fax +886 2 2368-7397

USA

Phone +1(952) 941-6780
Fax +1(952) 941-9287

Representatives and agencies in all major industrial countries.

Received from your SICK partner: