

Safety interlocks

i10 R

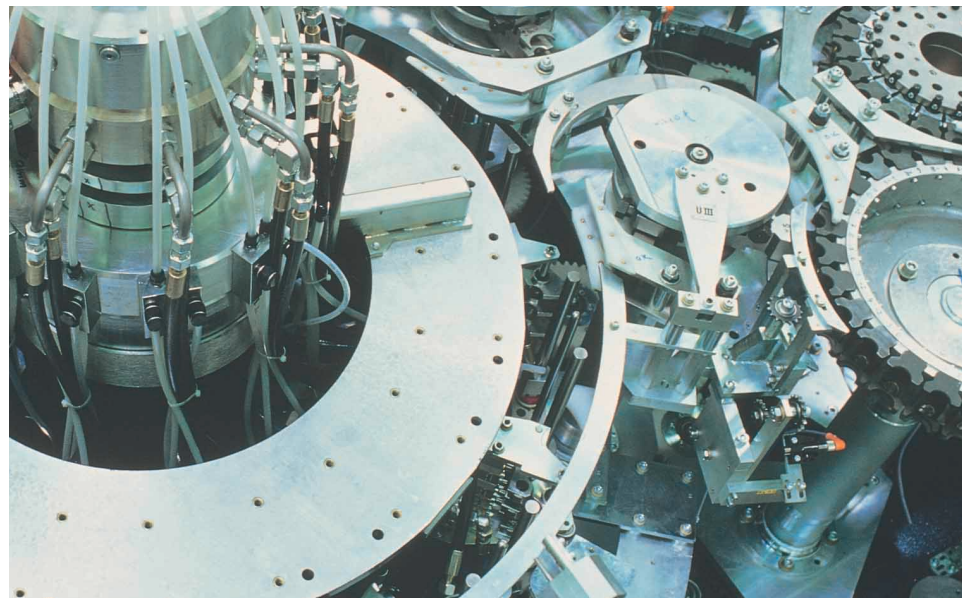


The i10 R series position switches are designed to ensure reliability and safety in applications where movable guards and movable parts control machinery and equipment.

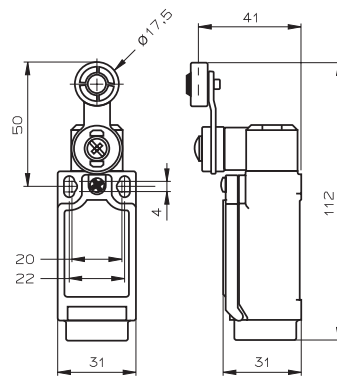
Due to the availability of models with slow action 2 NC + 1 NO and an optional rotation of the actuating head (4 x 90°), the flexibility of this safety interlock series makes it ideal for several applications.

The special adjustment ring nut for fastening the wheel shaft allows the linkage to be positioned at any angle (on 360°) with respect to the enclosure axis.

The fiberglass reinforced thermoplastic housing and the high protection rating (IP 66), make the i10 R series suitable for a wide range of light-duty applications.



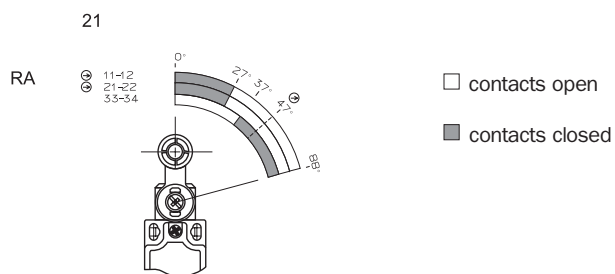
Drawings



Technical specifications

	i10 R
Housing material	Glass-reinforced plastic
Environmental protection to IEC 60529	IP 66
Mechanical lifecycles (min.)	10×10^6 cycles of order
Approach speed (max.)	250 mm/s
Approach speed (min.)	50 mm/min
Ambient temperature	-25...80° C
Type of connection	1 x M20
Switching principle	To slow release
Number of contacts (NO/NC)	2/1
Maximum surge voltage U_{imp}	2500 V
Rated insulation voltage U_i	250 V
Utilization category to IEC 60947-5-1	CA 15 CA: 3 A (230 V) CC 13 CC: 0.27 A (230 V)
Switching voltage (min)	5 V CC
Switching current (min) at 5 V CC	5 mA
Short-circuit protection	F 15/15 A

Switching elements



Product selection table

Model	Part number
i 10 RA213	6 025 085

We recommend contacting Customer Service for product selection