

# Safety interlocks

## i100 S



The i100 S series safety switches are designed to ensure reliability and safety in movable guard control applications whether hinged or sliding.

The wide-range of switches with slow-action 3 NC + 1 NO and the optional rotation of the actuating head (4 x 90°), makes this series flexible enough to meet a variety of requirements.

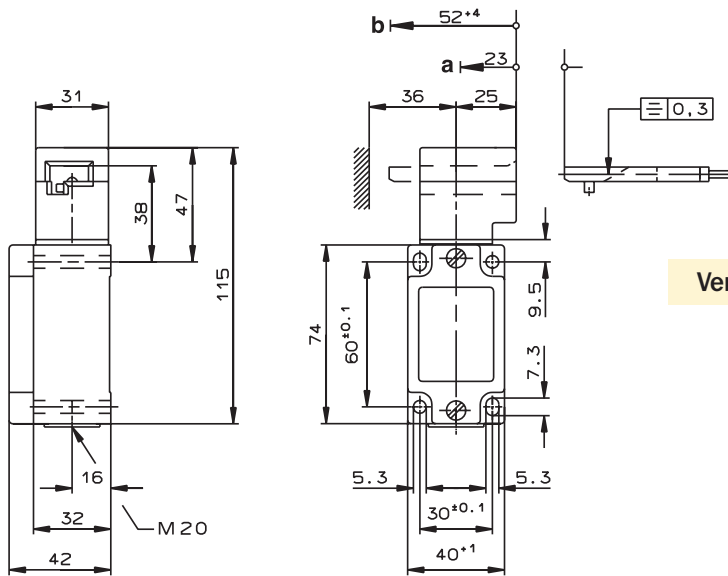
The metal enclosure and high protection rating (IP 65), makes the i100 S series suitable for heavy-duty

applications in the automotive and other industries.

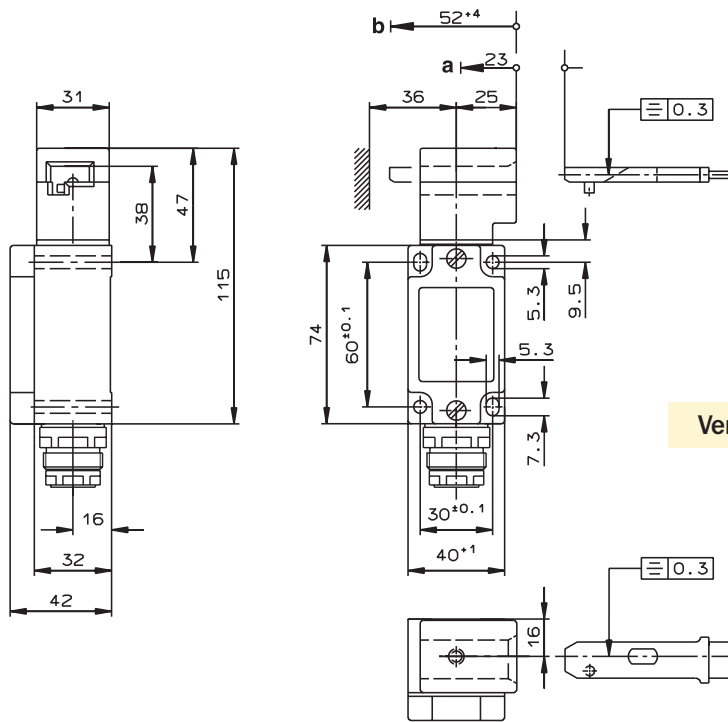
The triple codification (3 dimensional) of actuators make tampering difficult. The i100 S series safety switches are available with either an M20 electrical connection or with an SR 11 connector for plug & play connections.



Drawings



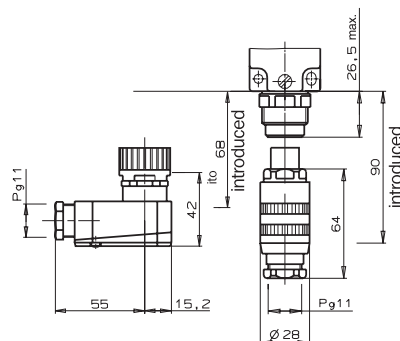
Version with metric connection



Version with SR 11 connection

a) Pre-run: the actuator is in the guard, but does not initiate the switching operation

b) Switching operation completed: to ensure switching, the actuator should be inserted up to this point



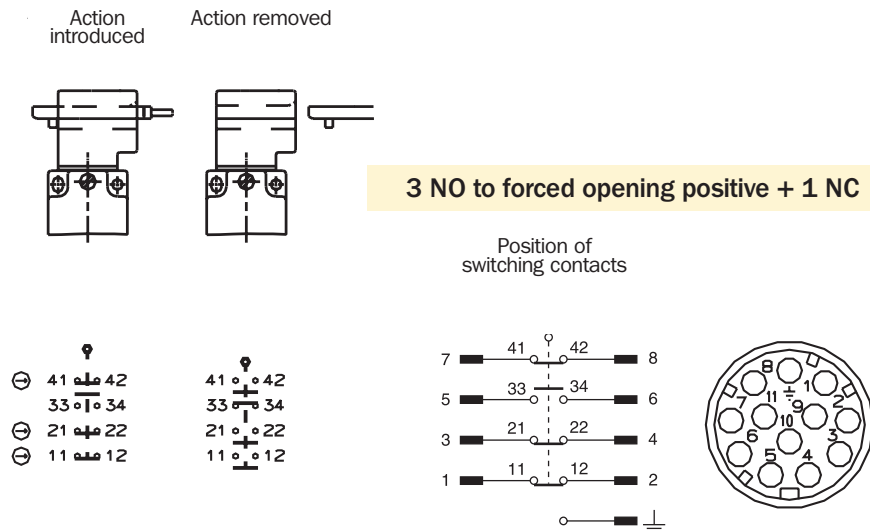
SR 11 connection

Safety Switches  
Heavy Duty

## Technical specifications

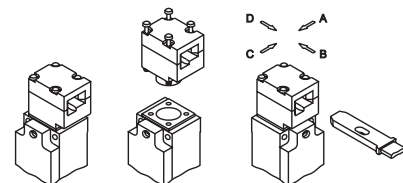
	<b>i 100 S</b>
Housing material	die-cast light alloy, anodized
Environmental protection to IEC 529	IP 67
Mounting position	optional
Mechanical service life	2 x 10 <sup>6</sup> switching cycles
Ambient temperature	-25...80° C
Approach speed (max.)	20 m/min
Actuating force	35 N
Switching elements	31
Contact elements	3 NC ⊕ + 1 NO
Switching principle	slow action
Rated insulation voltage	250 V <sup>≅</sup> /50 V <sup>≅</sup> (for version with connector SR 11)
Utilization category to IEC 947-5-1	AC-15 Ue 230 Vle 6A/DC-13 Ue 24 V le 6A
Switching voltage (min.)	12 V
Switching current (min.) at 24 V	10 mA
Contact material	silver alloy, gold-plated
Connection type	screw terminal/ connector 11 pins + PE (DIN 43651)
Cable cross-section	1.5 mm <sup>2</sup>
Short-circuit protection	slow 10 A, fast 20 A
Weight	approx. 0.3 Kg
Certifications	CE, BU, CSA SAQ, SUVA CNA INSAI, UL

## Switching elements



## Direction of insertion

- The small head can be oriented according to the desired insertion direction by unscrewing the four clamping screws.
- The switch is supplied with the small head set positioned in the A direction



If broken, safety interlock should be replaced

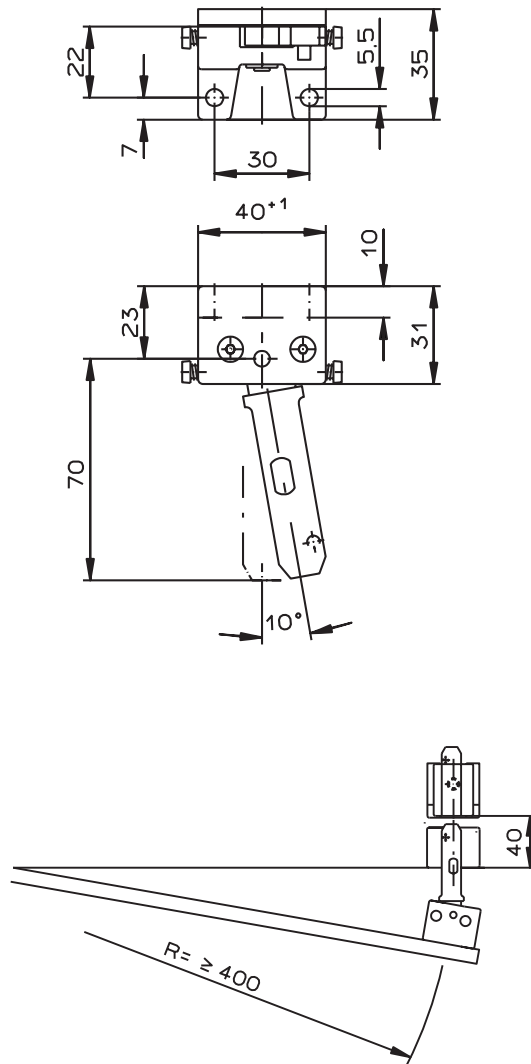
**Product selection table**

Model	Separate Actuator Key	Communication elements		Connector M 20	SR 11	Part number
		NC	NO			
i 100-	S	3	1	3		6 022 590
i 100-	S				2	6 012 133

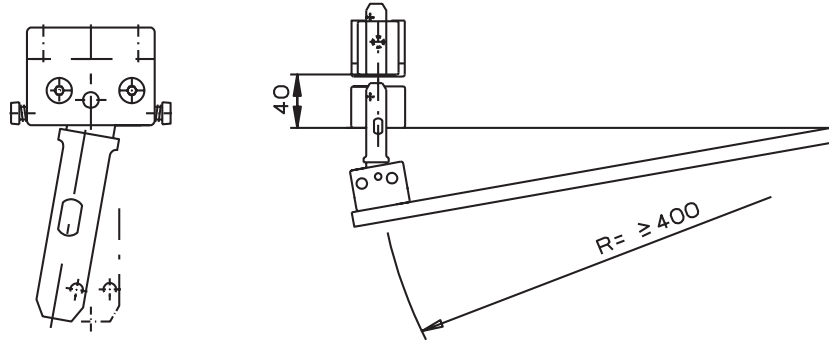
We recommend contacting Customer Service for product selection

**Accessories**

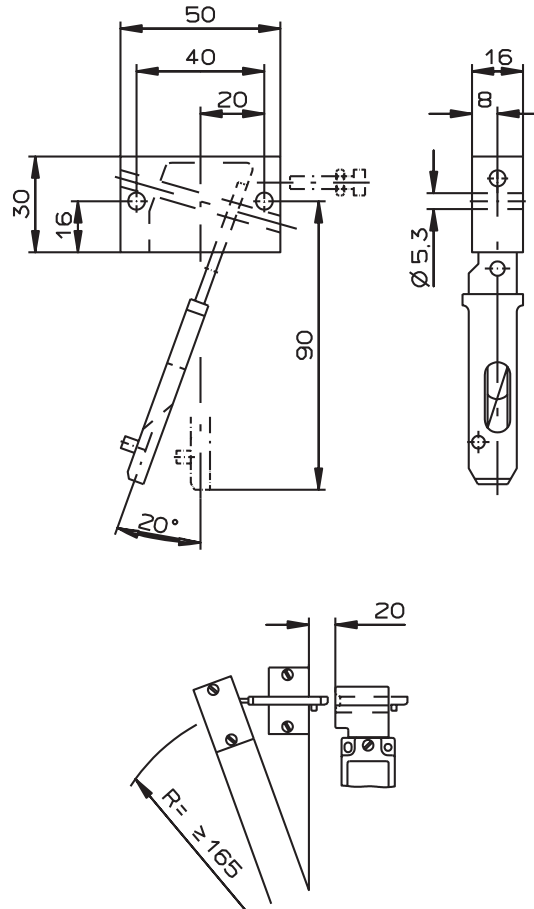
Actuator for door hinged to left iE100-R1 - Part number 5 306 498



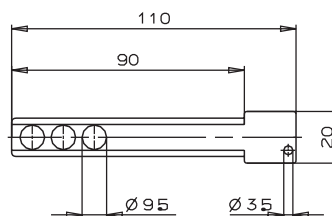
Actuator for doors hinged to right iE100-R2 - Part number 5 306 499



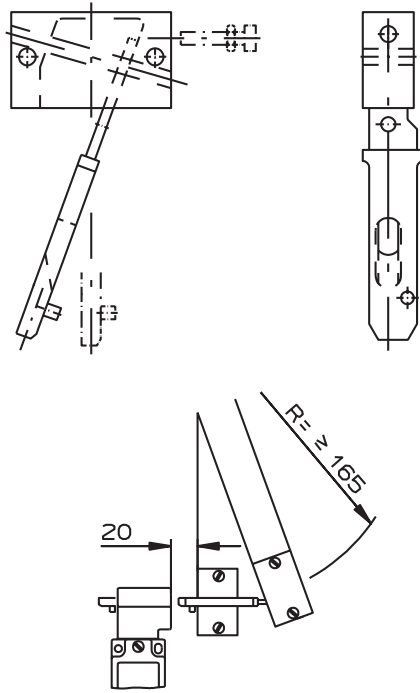
Actuator for doors hinged at bottom iE100-R3 - Part number 5 306 500



Lockout bar - Part number 5 603 534



Actuator for doors hinged at the top iE100-R4 - Part number 5 306 526



Actuator straight iE100-S1 - Part number 5 306 497

