



i10 H Safety Hinge Switch



Safety hinge switches in the i10 H series are designed for direct installation to pivotal protection devices. In so doing, the complete shaft of the safety hinge switch is directly coupled to the existing hinge pin. The desired switching point can be set by simple adjustment.

Safety hinge switches in the i10 H series can be procured in two compact design arrangements: miniature design having the dimensions 75 x 25 x 29 mm³ or the option according to EN 50047.

Four possible installation arrangements are available.

There are two differing contact elements for the safety hinge switch: 1 positively guided NC contact/ 1 NO contact (i10-HA) or 2 positively guided NC contacts/ 1 NO contact (i10-HB).

Features

- Miniature design or design according to EN 50047
- Housing made of glass-fibre reinforced thermoplastic
- Adjustable switch head
- Adjustable switching point
- Environmental protection IP 67
- Entry sealed M16

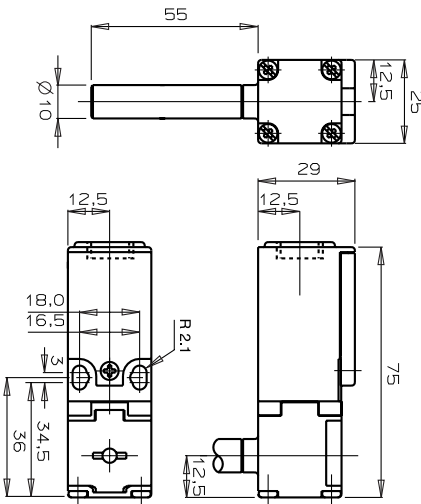
Safety Hinge Switch

Series i10 H

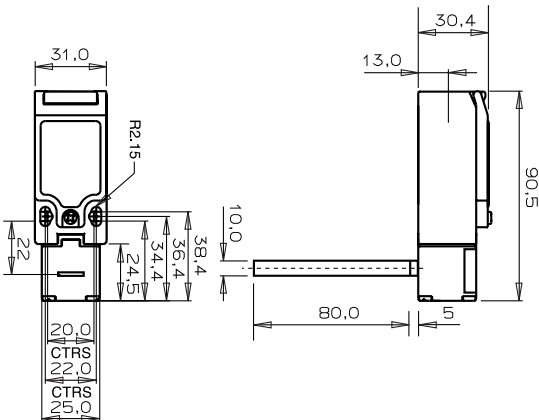
Housing:	Glass-fibre reinforced polyester
Connection:	Cable entry M16
Switching elements:	With 2 contacts (i10-HA) or 3 contacts (i10-HB)



Dimensional drawing i10-HA

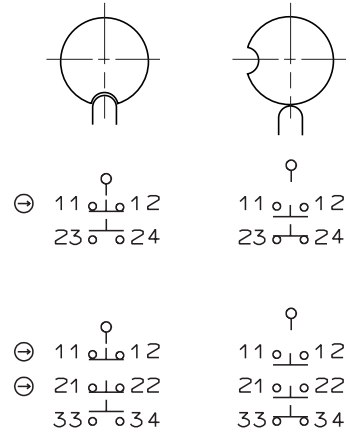


Dimensional drawing i10-HB



Switching element

- 1 Positively guided NC contact, 1 NO contact (i10-HA)
- 2 Positively guided NC contacts, 1 NO contact (i10-HB)

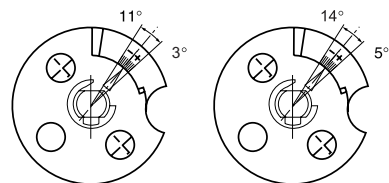


Installation notes

The safety hinge switch is able to pivot, fitted in intermeshed engagement on the hinge of pivotal safety doors. The safety hinge switch must not be used as a mechanical deadstop. Safety hinge switches and switch cams must be adequately secured to prevent positional displacement and be intermeshed to each other.

Adjusting the switching angle

The switching angle can be set within the range of 3° ... 11° (i10-HA) or 5° ... 14° (i10-HB). After functional testing safety hinge switches and switch cams must be pinned together to ensure integral intermeshed connection.



Warning

If signs of damage or wear are detected, the complete switch must be replaced. Do not replace individual components or assemblies!

Technical Data

Parameter	Value	Unit
Housing material	Glass-fibre reinforced polyester	
Environmental protection to IEC 60529	IP 67	
Mechanical service life	1 x 10 ⁶ switching operations	
Ambient temperature (operation)	-20 ... +80	°C
Connection type	1 x M16	
Min. contact-breaking force	20 cNm (i10-HA) or 35 cNm (i10-HB)	
Switching angle	3° ... 11° (i10-HA), 5° ... 14° (i10-HB)	
Frequency of use (maximum)	1	cycle/s
Contact elements positively guided NC contacts/NO contacts	1/1 (i10-HA), 2/1 (i10-HB)	
Max. surge voltage U _{imp}	2500	V
Contacts referred to housing		
Rated insulation voltage U _i	250	V
Utilisation category to IEC 60947-5-1	i10-HA: AC 15/AC: 1,5 A (240 V), 3 A (120 V) DC 13/DC: 0,55 A (240 V), 1,1 A (125 V) i10-HB: AC 15/AC: 3 A (240 V), 6 A (120 V) DC 13/DC: 1.1 A (240 V), 2.2 A (125 V)	
Switching voltage (minimum)	5	V DC
Switching current (minimum) at 5 V DC	5	mA
Weight	0.08 (i10-HA), 0.1 (i10-HB)	kg

Ordering table i10 H

Type	Variant	Connector		Type of connection	Part no.
		positively guided			
		NC contacts	NO contacts	M16	
i10-	HA	1	1	3	6 025 050
i10-	HB	2	1	3	6 025 053

Your contacts:

Australia

Phone +61 3 94 97 41 00
008 33 48 02 – toll free
Fax +61 3 94 97 11 87

Austria

Phone +43 2 23 66 22 88-0
Fax +43 2 23 66 22 88-5

Belgium/Luxembourg

Phone +32 24 66 55 66
Fax +32 24 63 31 04

Brazil

Phone +55 11 55 61 26 83
Fax +55 11 55 35 41 53

China

Phone +8 52 27 63 69 66
Fax +8 52 27 63 63 11

Czech Republik

Phone +42 02 578 10 561
Fax +42 02 578 10 559

Denmark

Phone +45 45 82 64 00
Fax +45 45 82 64 01

Finland

Phone +3 58 9-728 85 00
Fax +3 58 9-72 88 50 55

France

Phone +33 1 64 62 35 00
Fax +33 1 64 62 35 77

Germany

Phone +49 2 11 53 01 0
Fax +49 2 11 53 01 100

Great Britain

Phone +44 17 27-83 11 21
Fax +44 17 27-85 67 67

Italy

Phone +39 02 92 14 20 62
Fax +39 02 92 14 20 67

Japan

Phone +8 13 33 58 13 41
Fax +8 13 33 58 90 48

Korea

Phone +82 2 786 63 21/4
Fax +82 2 786 63 25

Netherlands

Phone +31 30 229 25 44
Fax +31 30 229 39 94

Norway

Phone +47 67 56 75 00
Fax +47 67 56 66 10

Poland

Phone +48 22 8 37 40 50
Fax +48 22 8 37 43 88

Singapore

Phone +65 67 44 37 32
Fax +65 68 41 77 47

Spain

Phone +34 93 4 80 31 00
Fax +34 93 4 73 44 69

Sweden

Phone +46 8 6 80 64 50
Fax +46 8 7 10 18 75

Switzerland

Phone +41 4 16 19 29 39
Fax +41 4 16 19 29 21

Taiwan

Phone +88 62 23 65 62 92
Fax +88 62 23 68 73 97

USA/Canada/Mexico

Phone +1 (952) 9 41-67 80
Fax +1 (952) 9 41-92 87

Representatives and agencies
in all major industrial nations.

