

Safety interlocks

i110 R



The i110 R series safety position switches are designed to ensure reliability and safety in applications where movable guards and movable parts control machinery and equipment.

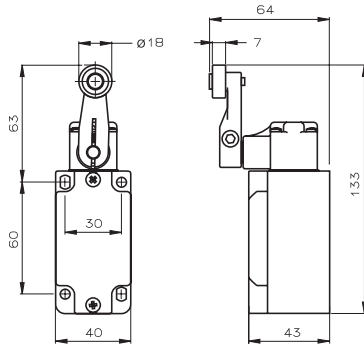
Thanks to the availability of versions with 3 NC + 1 NO, slow action 2 NC + 2 NO, or rapid action 1 NC + 1 NO, and to the optional rotation of the actuating head (4 x 90°), the flexibility of this safety interlock series meets the requirements of several applications.

The special adjustment ring nut for fastening the wheel shaft allows the linkage to be positioned at any angle (over 360°) with respect to the enclosure axis.

The galvanized die-cast metal housing and the high protection rating (IP 66) makes the i110 R series suitable for a wide range of heavy-duty applications.



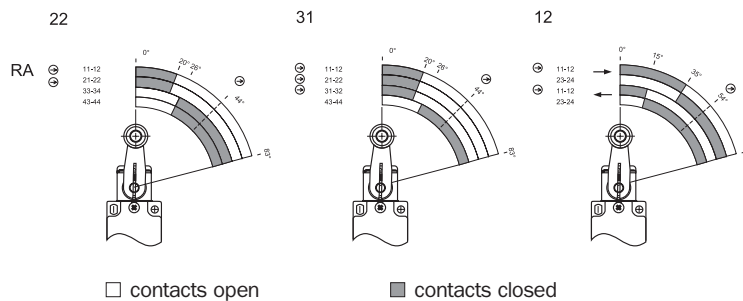
Drawings



Technical specifications

	i 110 R
Housing material	Die-cast zinc
Environmental protection to IEC 60529	IP 66
Mechanical service life (min.)	10 x 10 ⁶ switching cycles
Approach speed (max.)	250 mm/s
Approach speed (min.)	50 mm/min.
Ambient temperature	-25...80° C
Type of connection	1 x M20
Switching principle	Slow release: (RA31/RA22) Quick release: (RA12)
Number of contacts (NO/NC)	Slow release: 3/1 (RA31), 2/2 (RA22) Quick release: 1/1 (RA12)
Maximum surge voltage U _{imp}	2500 V
Rated insulation voltage test U _i	250 V
Utilization category to IEC 60947-5-1	CA 15 CA: 3 A (230 V) CC 13: CC: 0.27 A (230 V)
Switching voltage (min)	CC 5 V
Switching current (min) at 5 V CC	5 mA
Short-circuit protection	F 15/15 A

Switching elements



Product selection table

Model	Contact	Connection	Part number
i110 RA 313	3 NC + 1 NO	M 20	6 025 107
i110 RA 223	2 NC + 2 NO	M 20	6 025 108
i110 RA 123	1 NC + 1 NO	M 20	6 025 109

We recommend contacting Customer Service for product selection