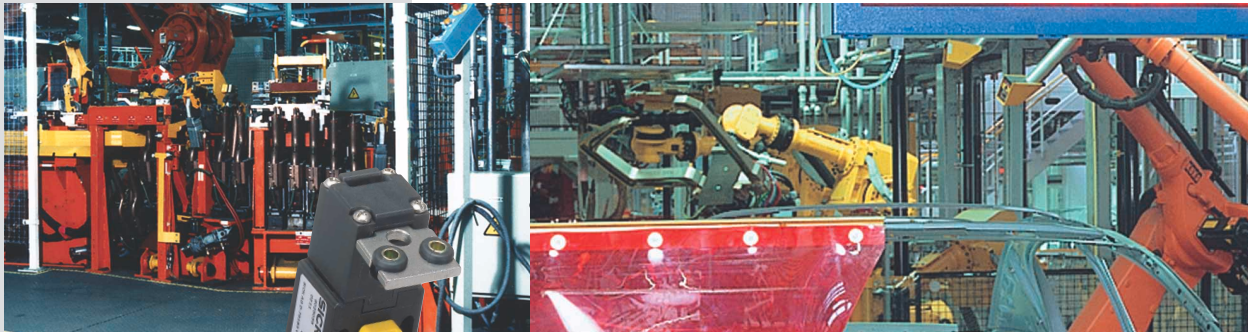


Safety interlocks

i12



The i12 series of safety switches are designed to ensure reliability and safety in movable guard control applications. The i12 comes in a variety of versions with 1 NC, 1 NC + 1 NO, or slow action 2 NC + 1 NO... and optional rotation of the actuating head (4 x 90°). This series also has a fiberglass reinforced thermoplastic housing and a high protection rating (IP 67).

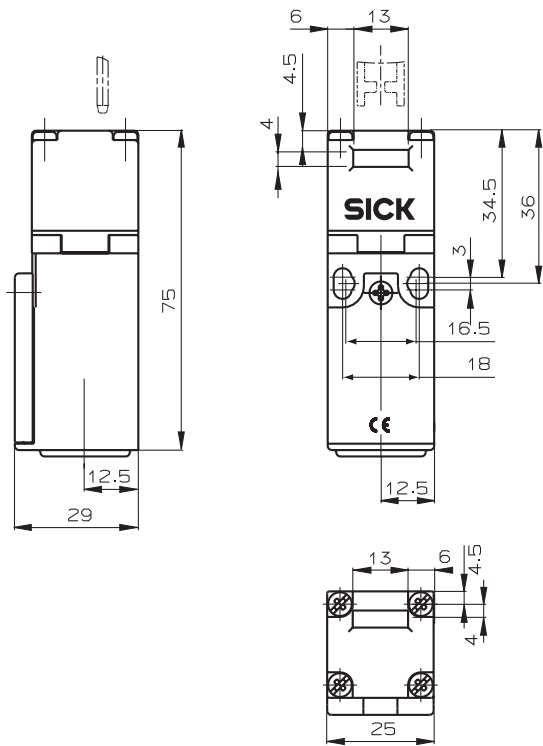
The device's high retention force keeps the actuating key within the head even

under demanding conditions such as strong vibrations, which prevents false opening of the guard.

Accessories, such as a stainless steel covering head capable of engaging the key inside the actuating head, make the i12 series of safety switches ideal for many light-duty applications.

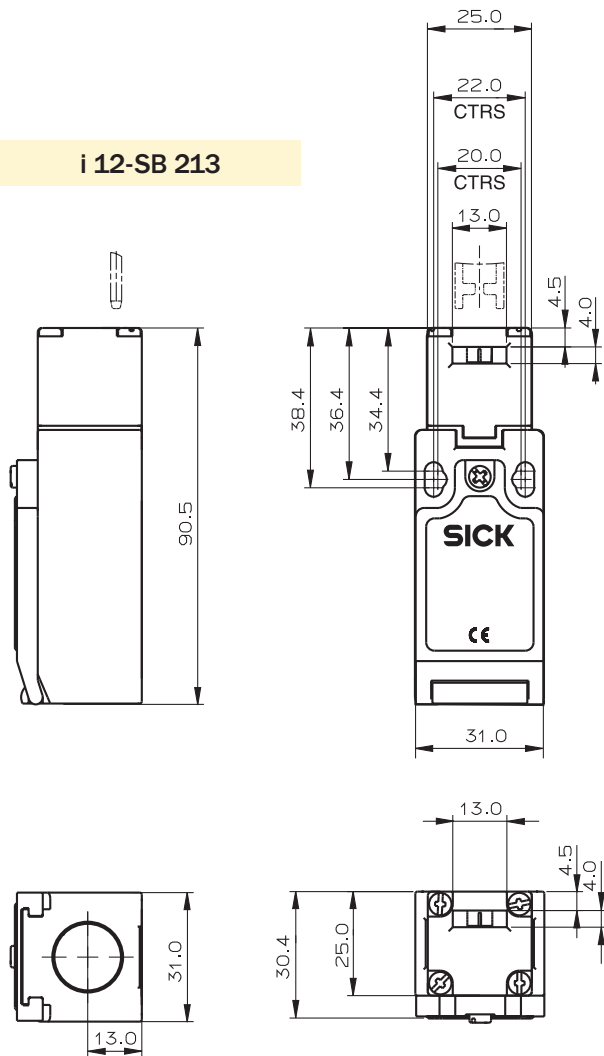


Drawings



i 12-SA103
i 12-SA113

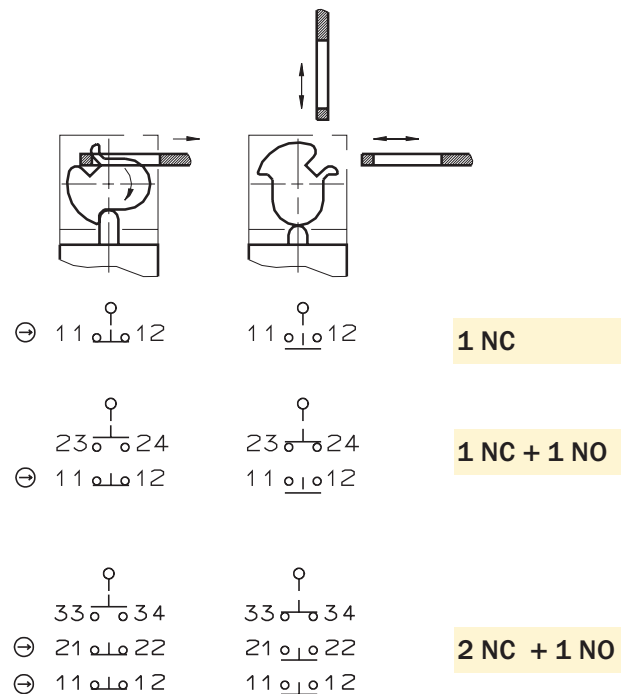
i 12-SB 213



Technical specifications

	i 12
Housing material	glass-reinforced plastic
Environmental protection to IEC 60 529	IP 67
Mechanical service life	10 ⁶ switching cycles
Ambient temperature	-20...80° C
Mounting position	optional
Connection type	1 X M 16
Approach speed (max.)	160 mm/s
Actuating force	6 N
Frequency of use (max.)	1 cycle/second
Contact elements positively guided NC/NO contacts	2/1 or 1/1 or 1/0
Rated insulation voltage	V _i = 250 V
Utilization category to IEC 60 947-5-1	AC 15/3 A (240 V), 6 A (120V) DC 13/1.1 A (250 V), 2.2 A (125 V)
Switching voltage (min.)	5 V
Switching current (min.) at 5 V	5 mA
Cable cross-section	1 X 1.5 mm ²
Short-circuit protection	slow 10 A/10 A
Certifications	CE, cULus, TÜV

Switching elements

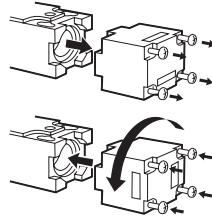


Installation notes

The safety switch and actuator must be assembled for installation purposes. The actuator must be permanently secured to the safety device such that it can not be detached, e.g., with unscrewable screws, rivets or welding. The safety switch should not be used as a mechanical stop plate.

Direction of actuator insertion

- The small head can be oriented according to the desired insertion direction by unscrewing the four clamping screws.
- The switch is supplied with the small head set positioned in the A direction



If broken, complete safety switch and actuator should be replaced

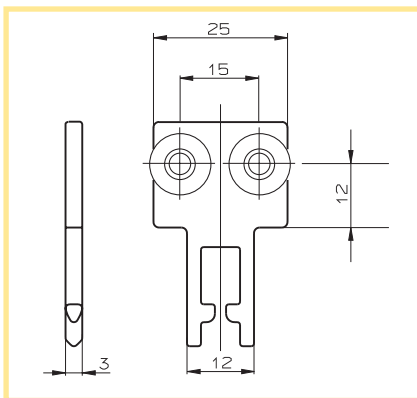
Product selection table

Model	Variant	Contact		Connector M 16	Part number
		NC	NO		
i 12	SA	1	0	3	6 025 056
i 12	SA	1	1	3	6 025 057
i 12	SB	2	1	3	6 025 059

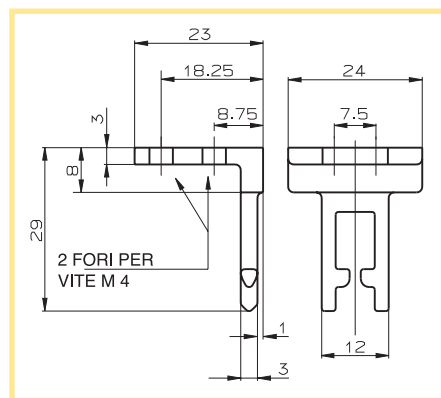
We recommend contacting Customer Service for product selection

Accessories

Straight actuator iE12-S1
Part number 5 311 131



Actuator at 90° iE12-A1
Part number 5 311 132



Flexible actuator with stainless steel head iE 12-F1
Part number 5 308 842

